

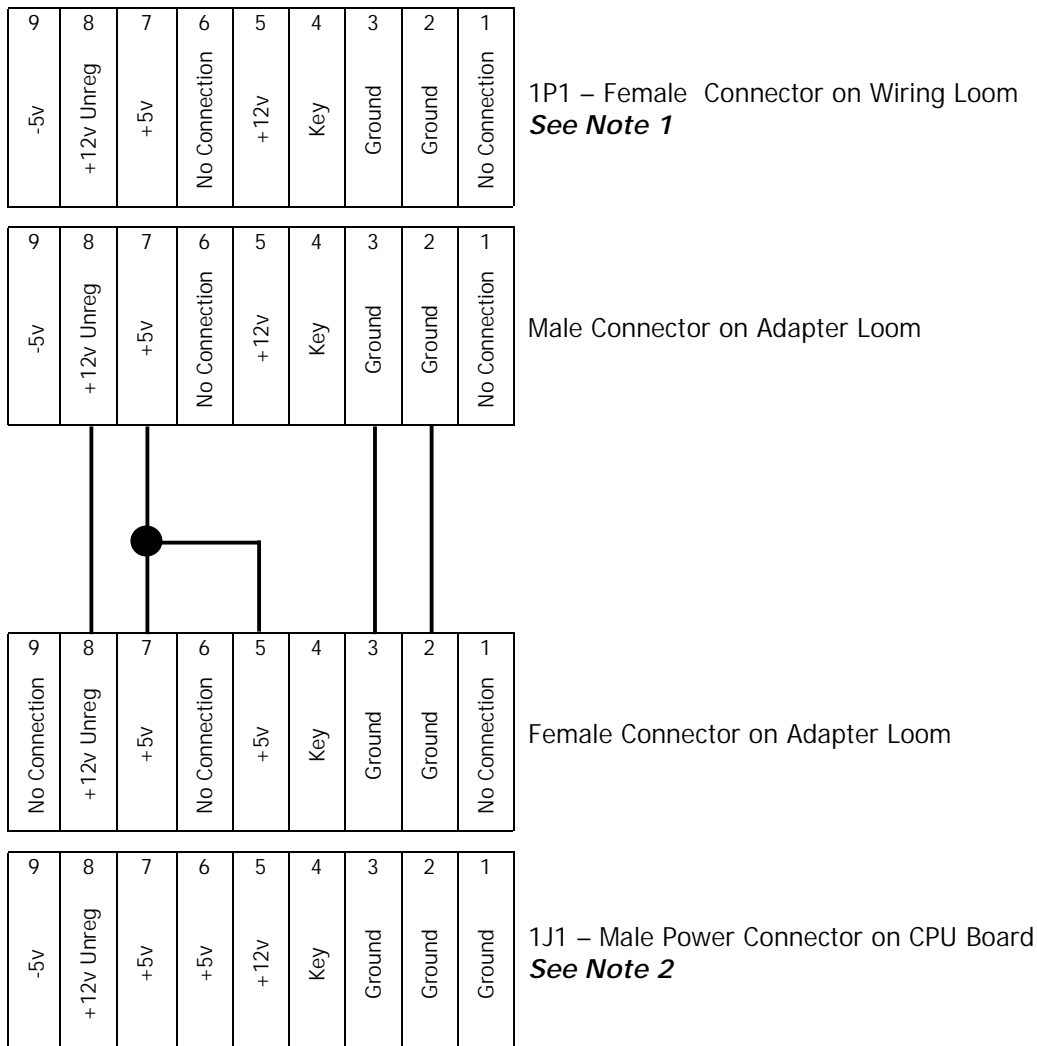
4164 Power Adapter Harness for Williams Games

This document was originally downloaded from:

WWW.ROBOTRON-2084.CO.UK

This adapter harness will allow you to fit *unmodified* 4164 DRAMs to your Williams video game(s). Since 4164's are much more reliable and use a lot less power than the standard 4116's your game should give years of service free of RAM problems.

4116 DRAM requires three power supplies and when it has been powered up for a while it is quite hot to touch; conversely 4164's only need +5v and runs much cooler. Since the pinouts for the RAM types are very similar it is possible to fit unmodified 4164's to you Williams game simply by either making the power harness illustrated below or to modify you power wiring loom to achieve the same result.



Notes:

1. Pins 1 and 6 of the power-wiring loom are not normally connected on factory wiring looms, however there is no reason why they should not be connected straight through. Pin 1 = Ground and Pin 6 = +5v.
2. Pins 1,2 and 3 (Ground) and pins 6 and 7 (+5v) are tied together on the PCB hence the pins 1 and 6 are usually not connected as stated at note 1.

***** This document is supplied for information only and I cannot be held responsible for any damage you may cause to yourself or your game whilst acting on advice given. *****
 *** Disclaimer ***