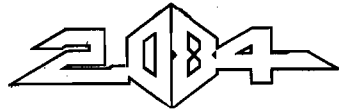
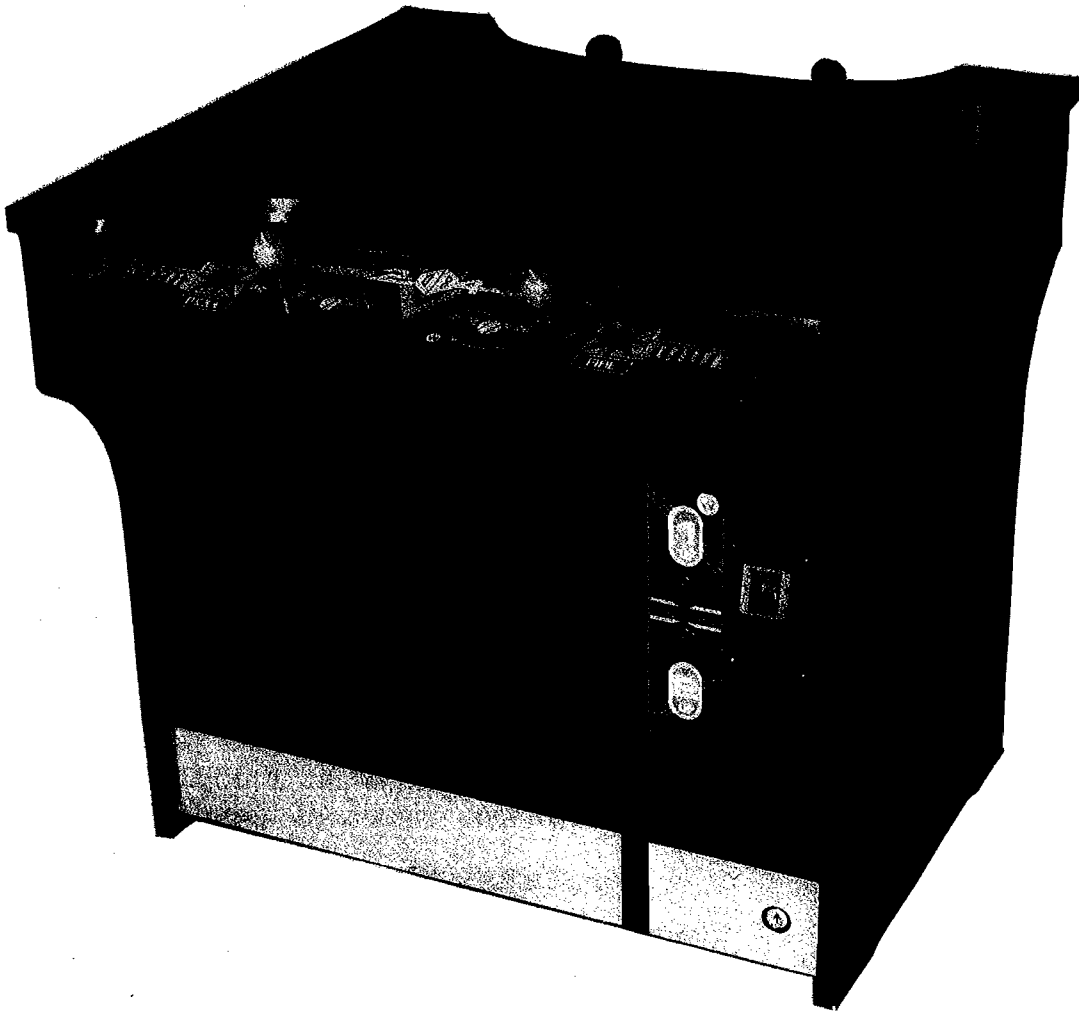


ROBOTRON:



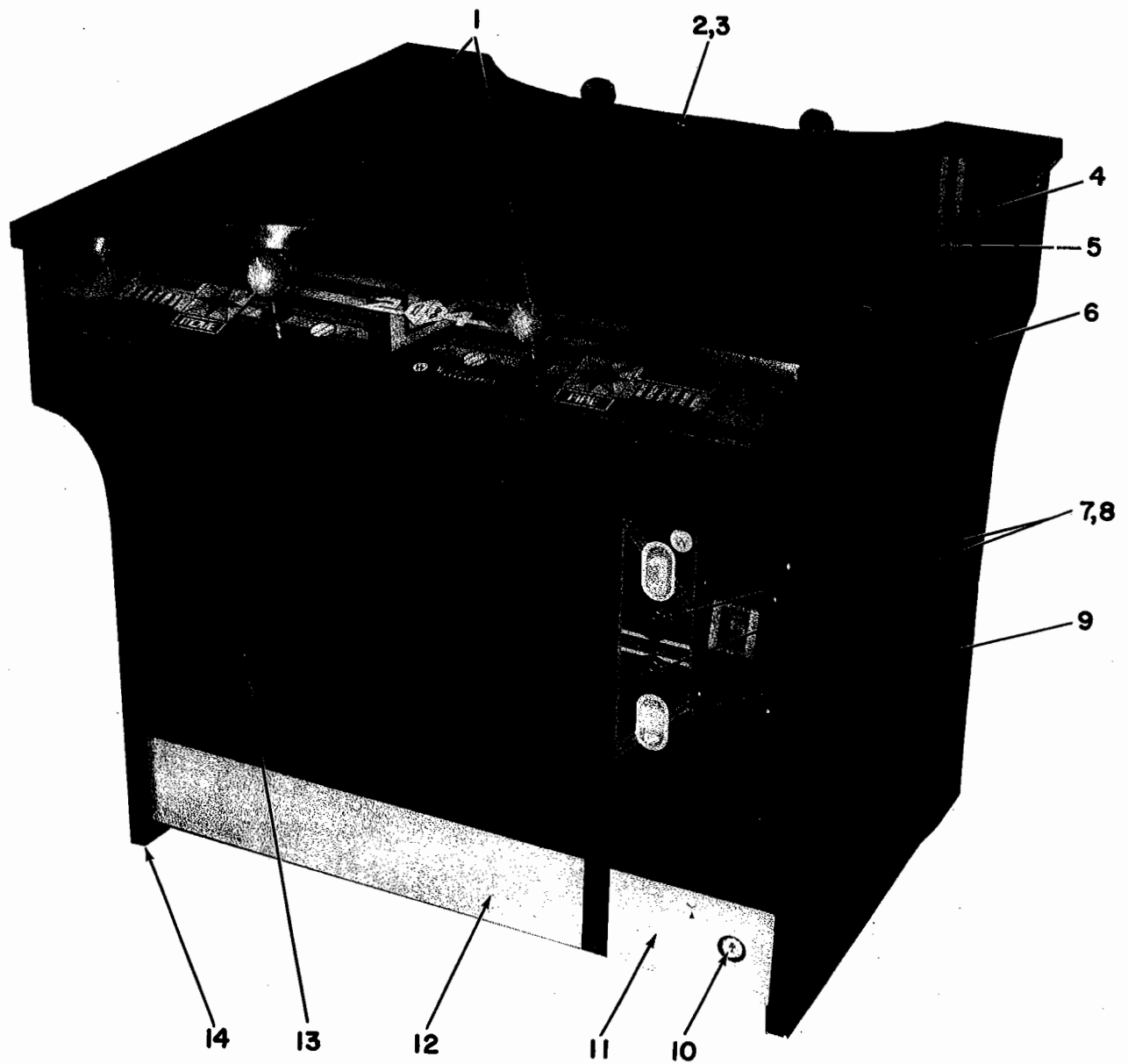
PARTS CATALOG FOR COCKTAIL TABLE GAMES



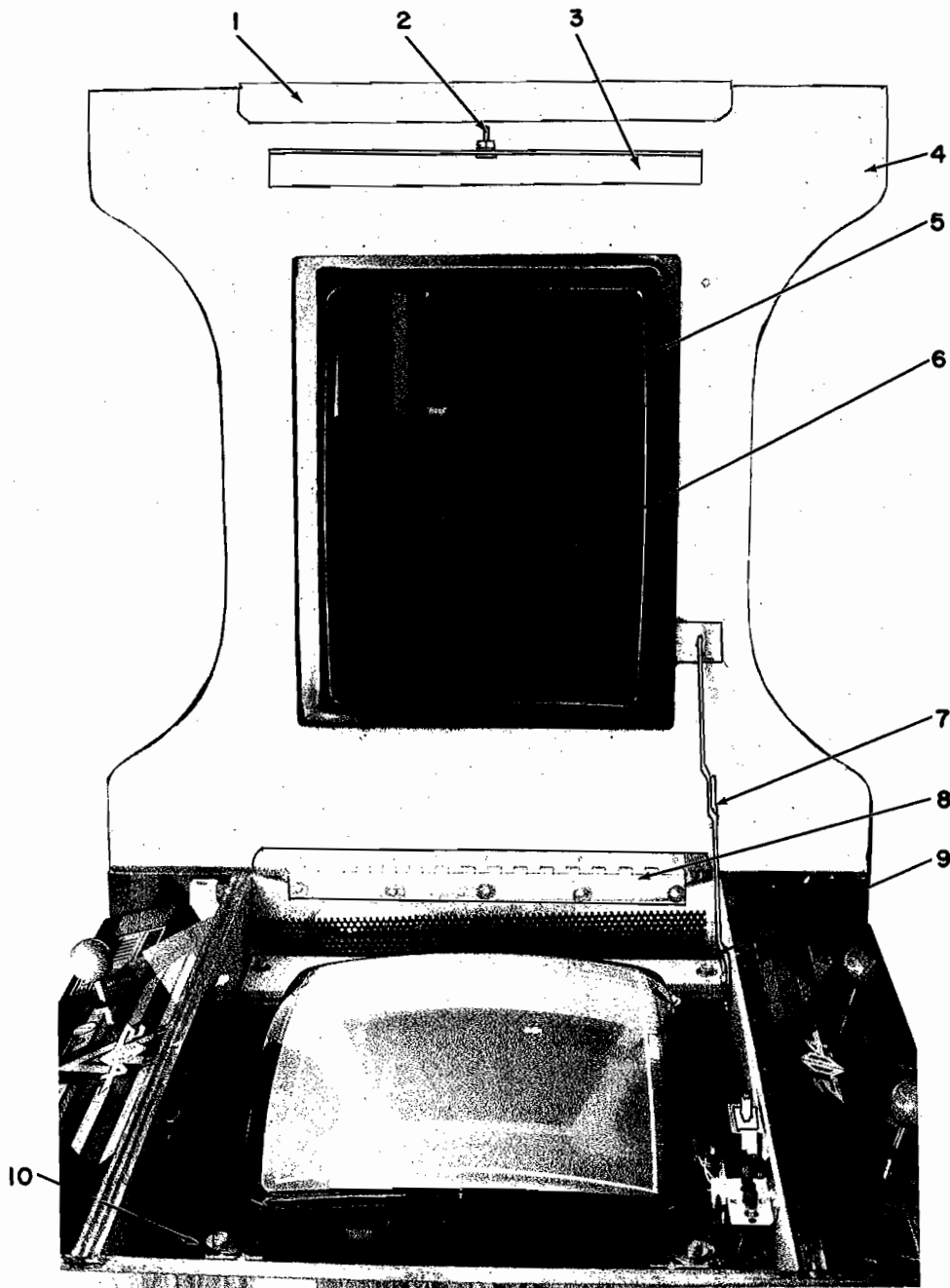
ROM SUMMARY

Current Robotron games use blue-label ROMs. Earlier games have either yellow or red-label ROMs, which are interchangeable and may be mixed in the same game. DO NOT attempt to mix blue-label ROMs with red or yellow-label ROMs.

ROM	PART NO.	DESCRIPTION
ROBOTRON 1B	A-5343-09898 A-5343-09945	PROM, 4Kx8, RED or YELLOW LABEL PROM, 4Kx8, BLUE LABEL
ROBOTRON 2B	A-5343-09899 A-5343-09946	PROM, 4Kx8, RED or YELLOW LABEL PROM, 4Kx8, BLUE LABEL
ROBOTRON 3B	A-5343-09900 A-5343-09947	PROM, 4Kx8, RED or YELLOW LABEL PROM, 4Kx8, BLUE LABEL
ROBOTRON 4B	A-5343-09901 A-5343-00948	PROM, 4Kx8, RED or YELLOW LABEL PROM, 4Kx8, BLUE LABEL
ROBOTRON 5B	A-5343-09902 A-5343-09949	PROM, 4Kx8, RED or YELLOW LABEL PROM, 4Kx8, BLUE LABEL
ROBOTRON 6B	A-5343-09903 A-5343-09950	PROM, 4Kx8, RED or YELLOW LABEL PROM, 4Kx8, BLUE LABEL
ROBOTRON 7B	A-5343-09904 A-5343-09951	PROM, 4Kx8, RED or YELLOW LABEL PROM, 4Kx8, BLUE LABEL
ROBOTRON 8B	A-5343-09905 A-5343-09952	PROM, 4Kx8, RED or YELLOW LABEL PROM, 4Kx8, BLUE LABEL
ROBOTRON 9B	A-5343-09906 A-5343-09953	PROM, 4Kx8, RED or YELLOW LABEL PROM, 4Kx8, BLUE LABEL
ROBOTRON 10B	A-5343-09907 A-5343-09954	PROM, 4Kx8, RED or YELLOW LABEL PROM, 4Kx8, BLUE LABEL
ROBOTRON 11B	A-5343-09908 A-5343-09955	PROM, 4Kx8, RED or YELLOW LABEL PROM, 4Kx8, BLUE LABEL
ROBOTRON 12B	A-5343-09909 A-5343-09956	PROM, 4Kx8, RED or YELLOW LABEL PROM, 4Kx8, BLUE LABEL
Decoder ROM 4 (Horizontal)	A-5342-09694	PROM, 512x8
Decoder ROM 6 (Vertical)	A-5342-09821	PROM, 512x8
Video Sound ROM 3	A-5343-09910	ROM, 4Kx8
Special Chip 1	A-5410-09911	Special Chip

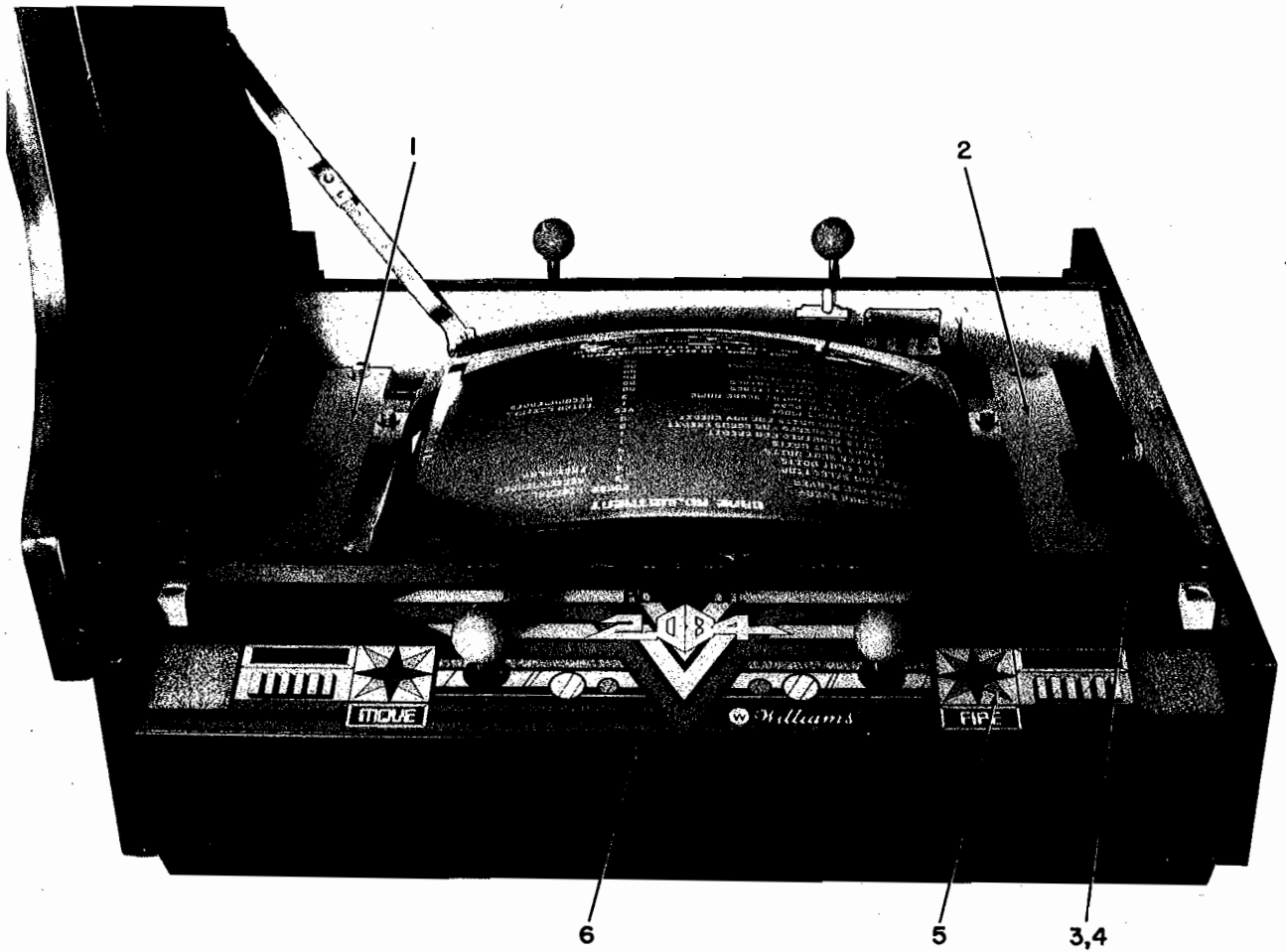


ITEM	PART NO.	DESCRIPTION
1	20-9319-1	8-Way WICO Joystick
2	08-7384	Cocktail Glass, Blank
3	D-9240	Cocktail Glass Label/Mask Film
4	01-7106	Glass Clamp
5	23-6550-1	Glass Clamp Gasket (Not Shown)
6	03-7630	Vent Screen
7	03-7592-9	Flipper Button, Red
8	03-7593-9	Flipper Button Body, Red
9	31-1057-3005-T	Screened Coin Door Cover
10	20-6542-TB	Lock and Keys
11	01-7117	Coin Door Kick Plate
12	01-7116	Body Kick Plate
13	03-7622	Speaker Grill
14	20-9261	Glide W/Screw

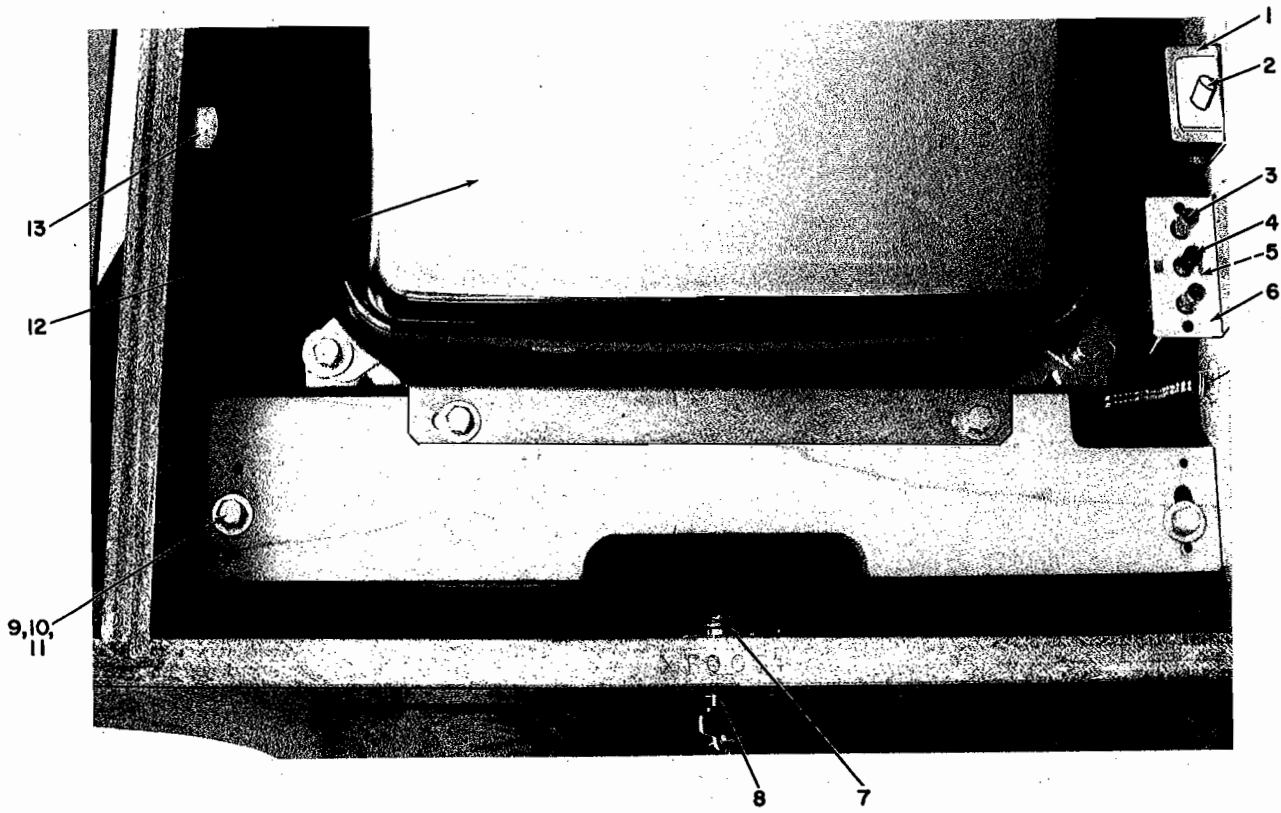


ITEM	PART NO.	DESCRIPTION
1	D-9238	ROBOTRON Top Assembly (Cocktail)
*2	02-4039	Top Lock Catch
*3	01-7190	Top Lock Catch Bracket
*4	11-679-4	Cocktail Top, 19"
*5	03-7731	CRT Bezel, 19"
*6	03-7732	CRT Filter, 19"
*7	20-9262	Cocktail Top Brace
*8	01-7105	Cabinet Top Hinge
9	01-7473	Coin Door Striker
10	03-7647-1	Nylon Catch

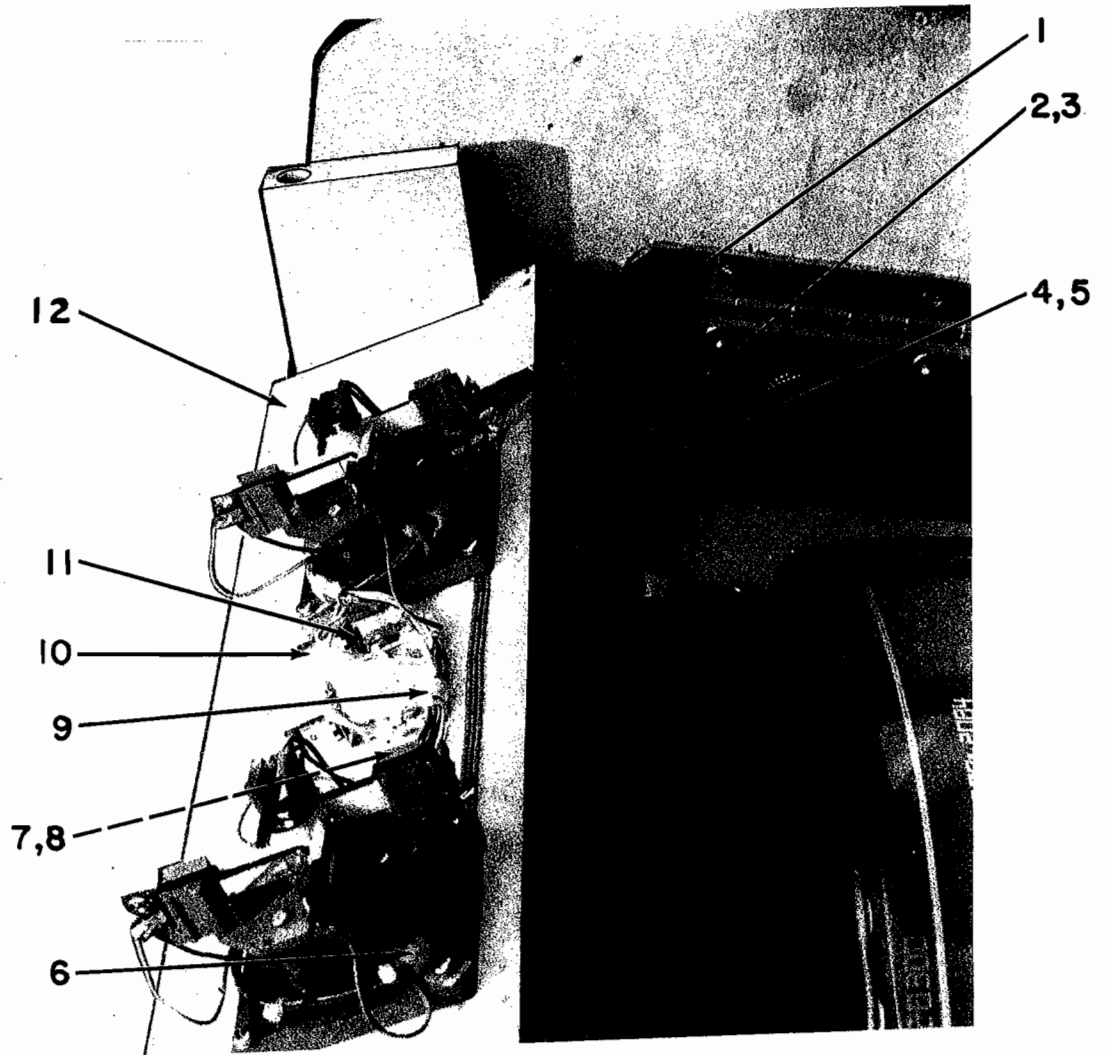
* Parts of the D-9238 Assembly



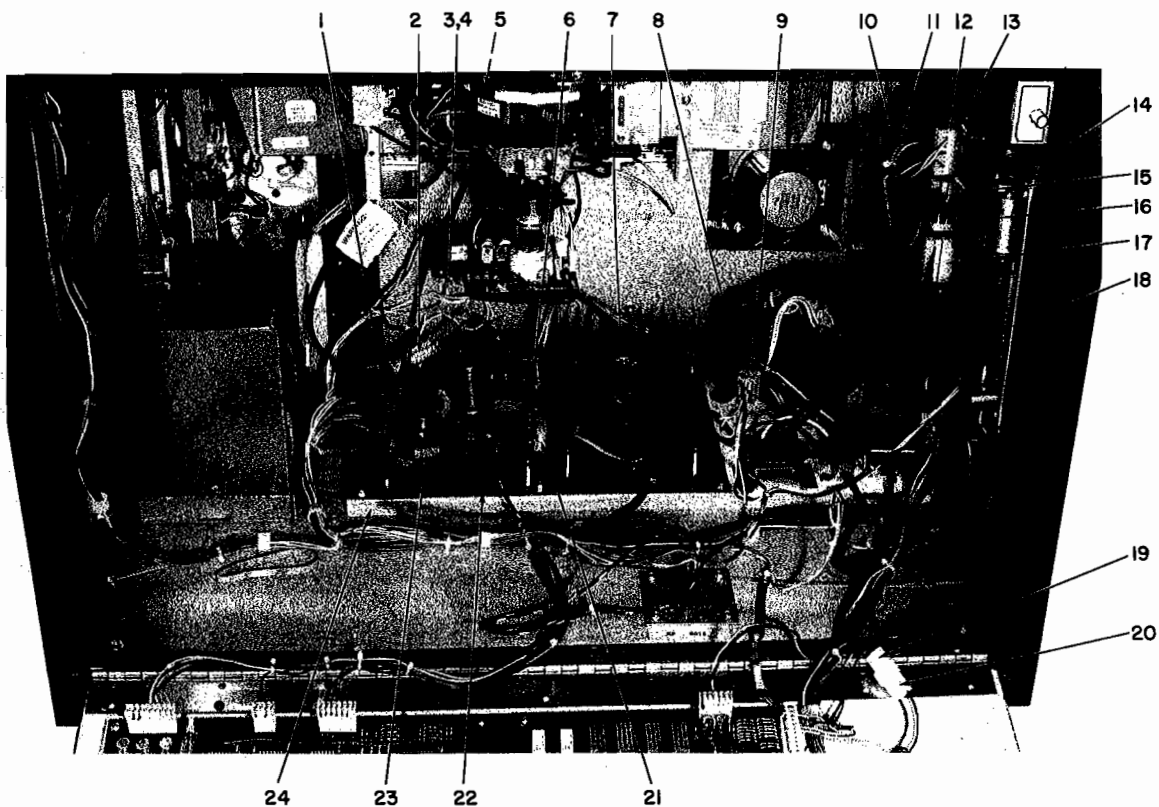
ITEM	PART NO.	DESCRIPTION
1	11-679-3-R	CRT Support
2	11-679-3-L	CRT Support
3	01-6858	Pot Mounting Bracket (Not Shown)
4	5014-09178	Pot, 5K, 10%, 1W (Not Shown)
5	31-1054-3005-T	Screened ROBOTRON Control Panel
6	11-679-1	ROBOTRON Control Panel



ITEM	PART NO.	DESCRIPTION
1	01-7189	Safety Switch Bracket
2	5643-09268	Interlock Switch, SPST
3	03-7601-4	Switch Button, Red
4	03-7601-7	Switch Button, Black
5	5641-09369	3-Bank Switch (Not Shown)
6	01-7109	Diagnostic Switch Bracket
7	20-9265	Lock Hook Cam
8	20-6542-TB	Lock & Keys
9	4700-00033	Flat Washer, 17/64" I.D. x 3/4" O.D., 15 Gauge
10	4701-00005	Lock Washer, Split, 1/4"
11	4320-01124-20	Bolt, 1/4"-20x1-1/4"
12	5675-09922	Color Monitor, 19"
13	01-7104	Component Door Latch



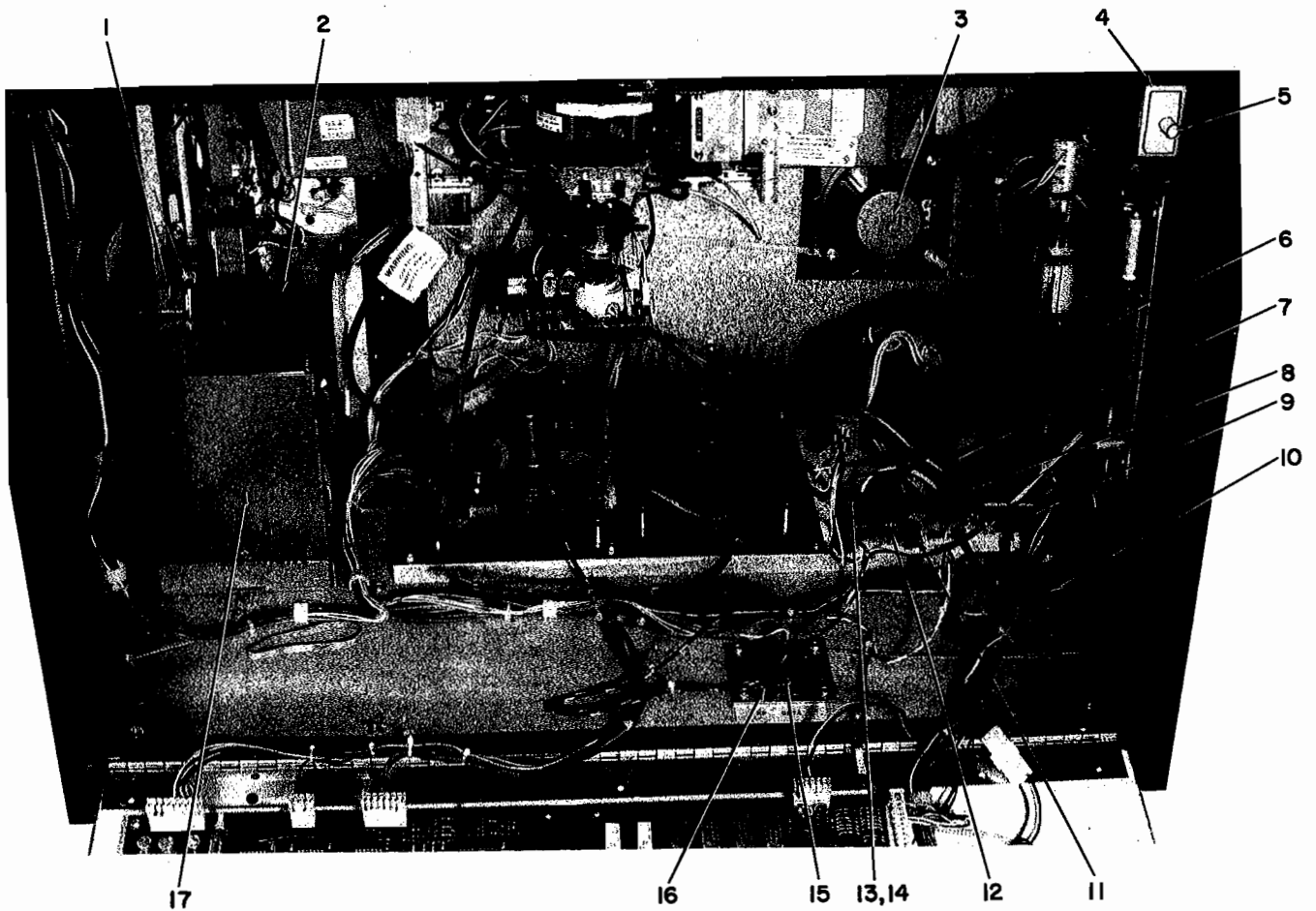
ITEM	PART NO.	DESCRIPTION
1	H-9257	Control Panel Cable
2	5791-09132	Connector, 12 Pin, Male
3	5820-09078	Pin, Male
4	5792-09133	Connector, 12 Pin, Female
5	5821-09079	Pin, Female
6	03-7655-4	Harness Clip, 1/4"
7	5792-09496	Connector, 7 Pin, Female (Not Shown)
8	5823-09360	Polarizing Key
9	03-7655-8	Harness Clip, 1/2"
10	24-6549	Light Bulb, #44
11	24-8739	Light Socket
12	R-9223	Control Panel & Switch Assembly



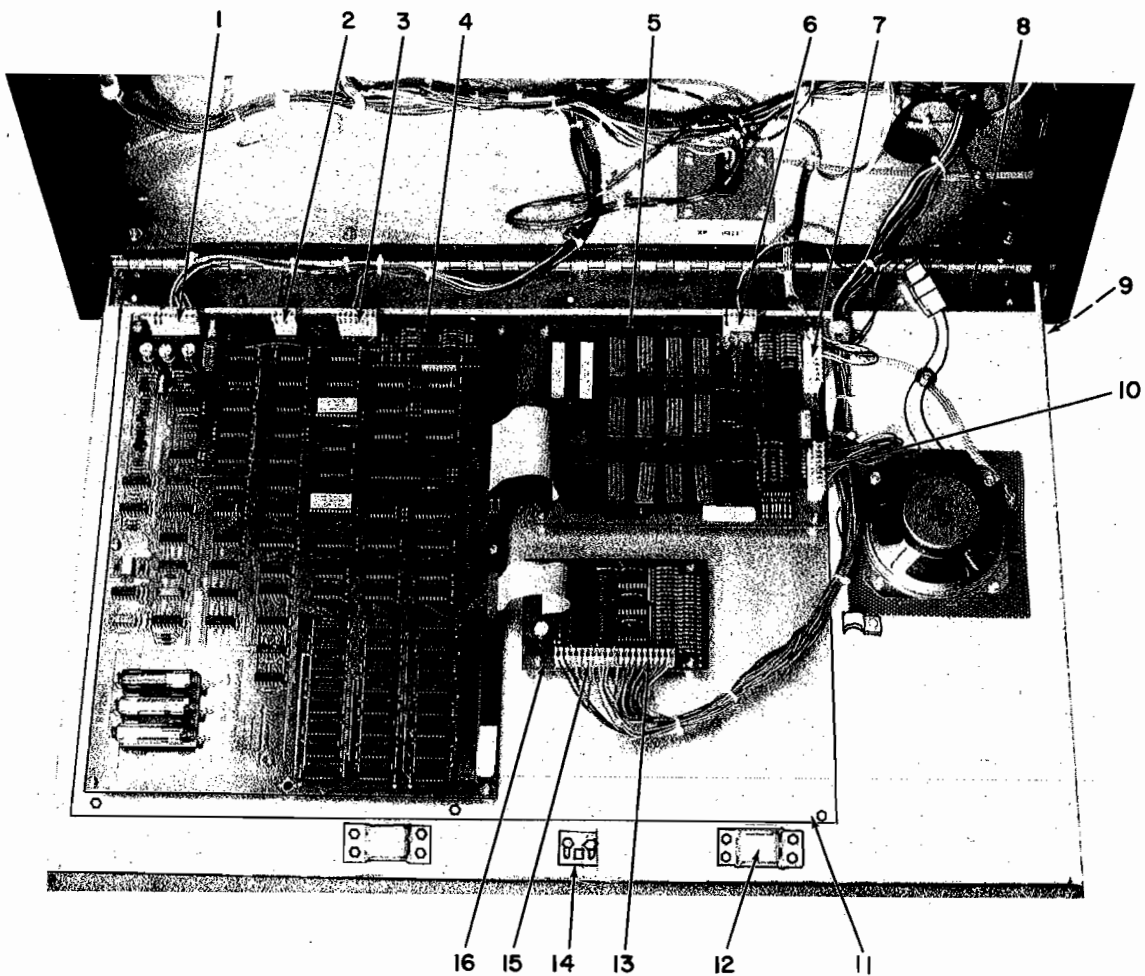
ITEM	PART NO.	DESCRIPTION
*1	5792-09567	Connector, 15 Pin, Female
**2	5792-09454	Connector, 2 Pin, Female
3	A-7438-5	Terminal Strip Assembly
4	5012-09655	Resistor, 1.5 Ohm, 10W, 5%
5	5792-09565	Connector, 6 Pin, Female (Not Shown)
***6	5792-09106	Connector, 12 Pin, Female
7	C-8809	Heat Sink Assembly
**8	5792-09109	Connector, 12 Pin, Female
‡9	5791-09572	Connector, 12 Pin, Male
**10	5792-09110	Connector, 3 Pin, Female
‡11	5791-09111	Connector, 3 Pin, Male
*12	5792-09336	Connector, 9 Pin, Female
13	01-6923	Sound Board Mounting Bracket
14	01-6923-1	Sound Board Mounting Bracket
*15	5792-09288	Connector, 4 Pin, Female
*16	5792-09103	Connector, 4 Pin, Female
*17	5792-09290	Connector, 9 Pin, Female
18	D-8224-3005	ROBOTRON Sound Board
‡19	5791-09111	Connector, 3 Pin, Male
**20	5792-09110	Connector, 3 Pin, Female
*21	5792-09517	Connector, 6 Pin, Female
22	01-7490	Printed Circuit Board Plate
23	D-8784	Power Supply Printed Circuit Board Assembly (System 3)
24	11-595	Power Supply Mounting Board

* 5823-09360 Polarizing Key ** 5821-09081 Pin, Female

*** 5822-09076 Pin, Female ‡ 5820-09080 Pin, Male
5823-09082 Polarizing Key

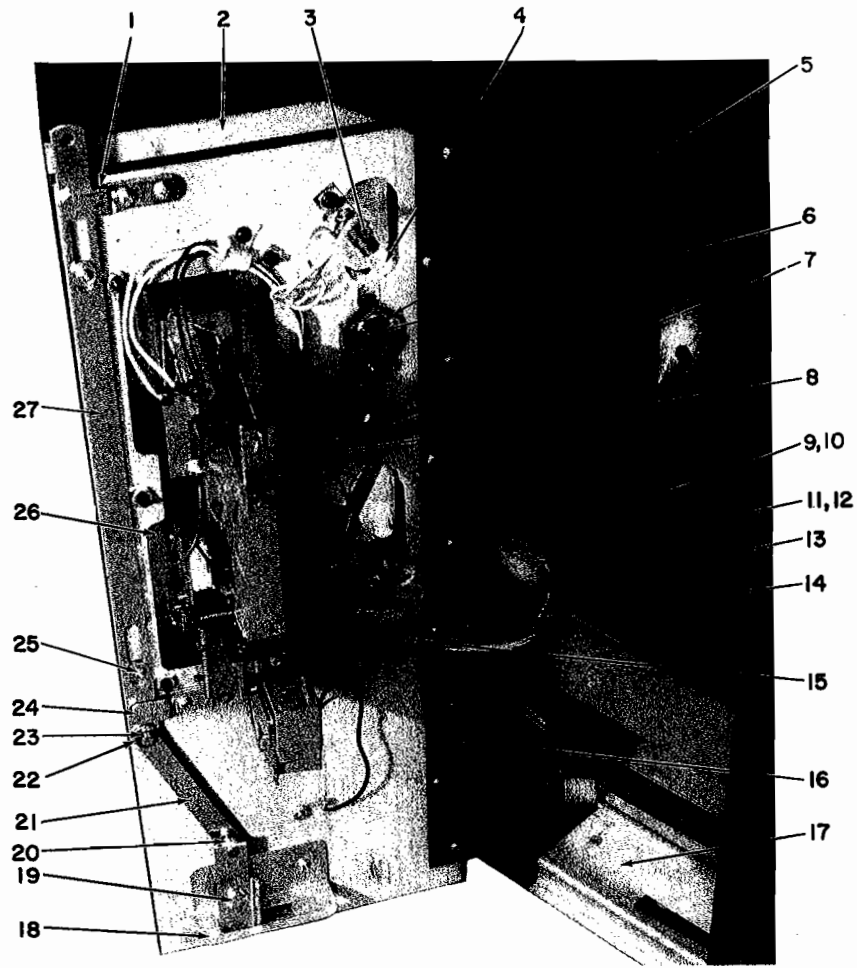


ITEM	PART NO.	DESCRIPTION
1	01-7100	Cash Box Lock Bracket
2	01-7097	Cash Box Top
3	5555-09626	Speaker, 4 Inch, 8 Ohm, 3W
4	01-6869	Interlock Switch Bracket
5	5643-09556	Interlock/Cheat Switch
6	5610-09629	Transformer, 115/230V
7	01-7110	Transformer Legs
8	5017-09044	Varistor, 130V, 10A
9	5102-09696	Line Filter, F-2795
10	5850-08728	Line Cord, 15 Ft., U.S.
11	01-6948	Service Outlet Mounting Bracket
12	5851-09184	Service Outlet, Snap-in
13	B-6448-1	Fuse Clip Assembly
14	5731-08633	Fuse, 3ASB, 115V
15	5640-06137	Toggle Switch, SPST, 125V, 6A
16	01-5185	Toggle Switch Mounting Plate
17	D-8603	Cash Box Assembly



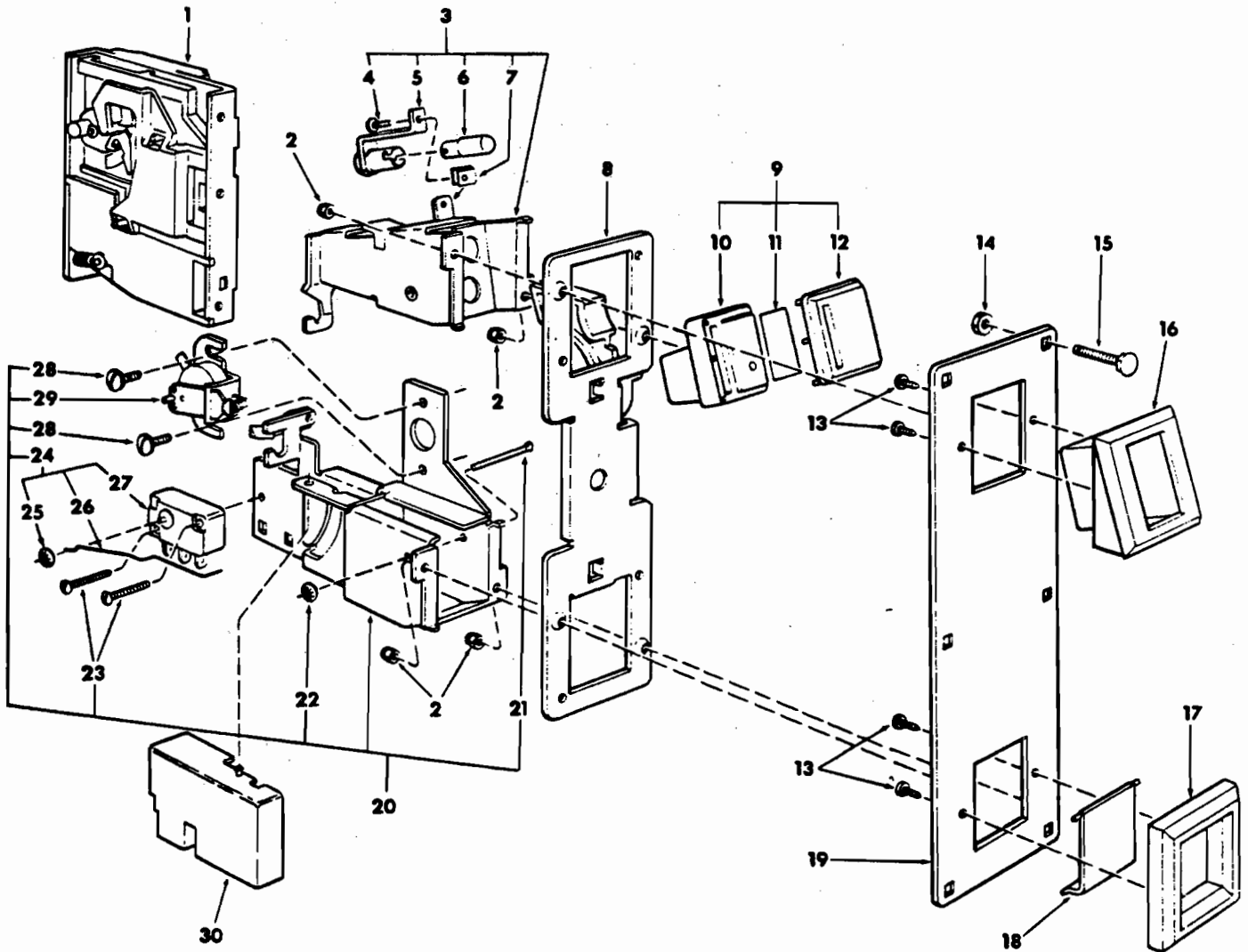
ITEM	PART NO.	DESCRIPTION
*1	5792-09336	Connector, 9 Pin, Female
*2	5792-09288	Connector, 4 Pin, Female
*3	5792-09496	Connector, 7 Pin, Female
4	R-8731	CPU Complete Assembly
5	D-9144	ROM/PIA PC Board Assembly
*6	5792-09517	Connector, 6 Pin, Female
*7	5792-09502	Connector, 10 Pin, Female
8	01-7112	Component Door Hinge
9	01-7115	Component Door Kickplate
*10	5792-09290	Connector, 9 Pin, Female
11	D-8601	PC Board Support Plate Assembly
12	01-7102	Lock Bracket
*13	5792-09502	Connector, 10 Pin, Female
14	03-7647-2	Nylon Hook
*15	5792-09502	Connector, 10 Pin, Female
16	C-8783	Interface PC Board Assembly

* 5823-09360 Polarizing Key



ITEM	PART NO.	DESCRIPTION
1	01-7133	Guide Strip
2	11-679-5	Coin Door
3	24-8739	Light Socket
4	24-6549	Light Bulb
5	20-9222	Palnut, 5/8"
6	03-7593-9	Flipper Button Body, Red
7	10-366	Button Spring (Not Shown)
8	03-7614	Molded Universal Switch
9	5792-09139	Connector, 9 Pin, Female
10	5821-09079	Pin, Female
11	5791-09138	Connector, 9 Pin, Male
12	5820-09078	Pin, Male
13	H-8619	Coin Door Cable
14	20-9223	Braided Ground Wire, 15"
15	03-7655-4	Harness Clip, 1/4"
16	01-7103	Coin Door Hinge
17	01-7101	Cash Box Retainer
18	01-7099	Coin Door Lock Guide
19	01-7098	Coin Door Lock Cam
20	02-4031	Cam Lever Stud
21	01-7134	Lower Lock Link
22	20-8712-31	"E" Ring, 5/16"
23	02-4030	Cam Lever Stud
24	01-7131	Guide Bracket
25	02-4029	Lock Mechanism Guide
26	09-11000	Coin Mechanism, Quarter
27	01-7132	Upper Lock Link

2800-0 FRONT PLATE EXPLODED VIEW 25¢ COIN



Index No.	Part No.	Description	Index No.	Part No.	Description
1	5301-10	25¢ Coin Acceptor	16	904588	Coin Inlet Housing
2	400-4	#4-40 Self Locking Nut	17	904590	Coin Return Cover
3	404351	Coin Inlet Chute Assembly	18	904599	Coin Return Door
4	110-4-6	4 x 3/8 Screw	19	404463	Frontplate Assembly, 3-1/8" x 9-1/4"
5	904717	Lamp Socket	20	404350	Coin Return Chute Assembly
6	904716	#47 Lamp (6.3 Volt)	21	905115	Bar
7	904712	Fastener	22	904936	Keeper
8	404464	Inner Panel/Lever Assembly	23	100-4-12	4-40 x 3/4 Screw
9	404348	Coin Return Button Assembly	24	404353	Switch & Wire Assembly
10	904591	Coin Return Button	25	900651	Retainer
11	904703	25¢ Price Decal	26	904710-1	Switch Wire-Silver
12	904589-2	Reject Cover Button (25¢)	27	904845	Switch
13	345-4-5	#4 x 5/16 Pan Head Screw	28	100-6-3	6-32 x 3/16 Screw
14	406-10	#10-24 Hex Nut (Mounting Hardware)	29	404354	12 Volt Crem Assembly
15	905022	#10-24 x 1-1/8 Carriage Bolt (Mounting Hardware)	30	904762	Switch Cover



Coin Acceptors, Inc.
St. Louis, Missouri USA & Toronto, Canada.