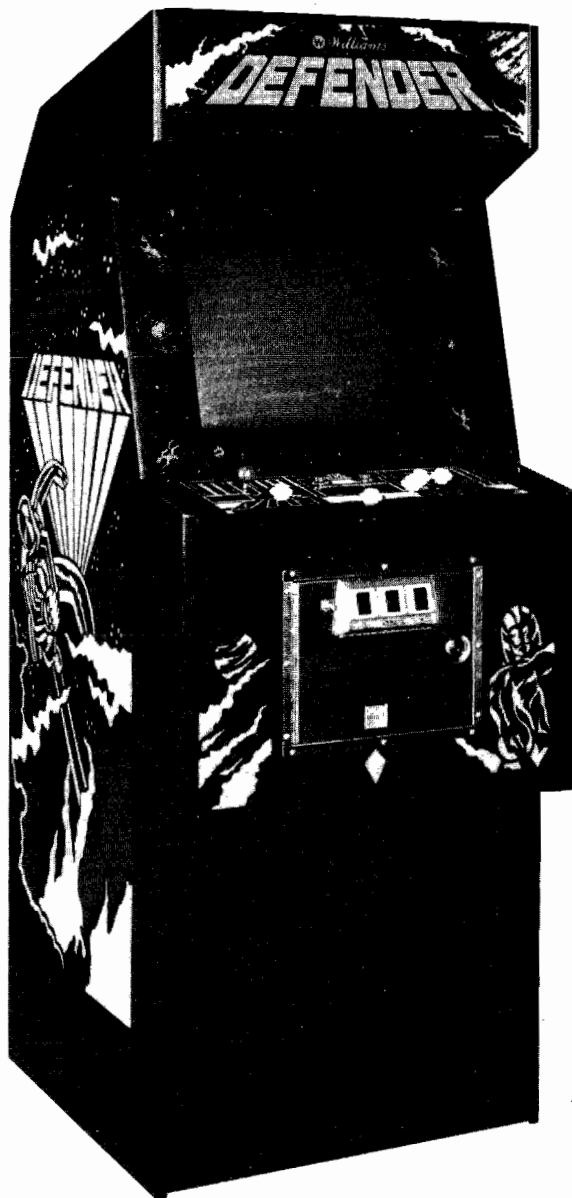


Williams[®]

16P-3001-110
July, 1981

DEFENDER

PARTS CATALOG



For service call TOLL-FREE:
800-621-4765
In Illinois call
800-972-7898

Williams[®] 
ELECTRONICS, INC.

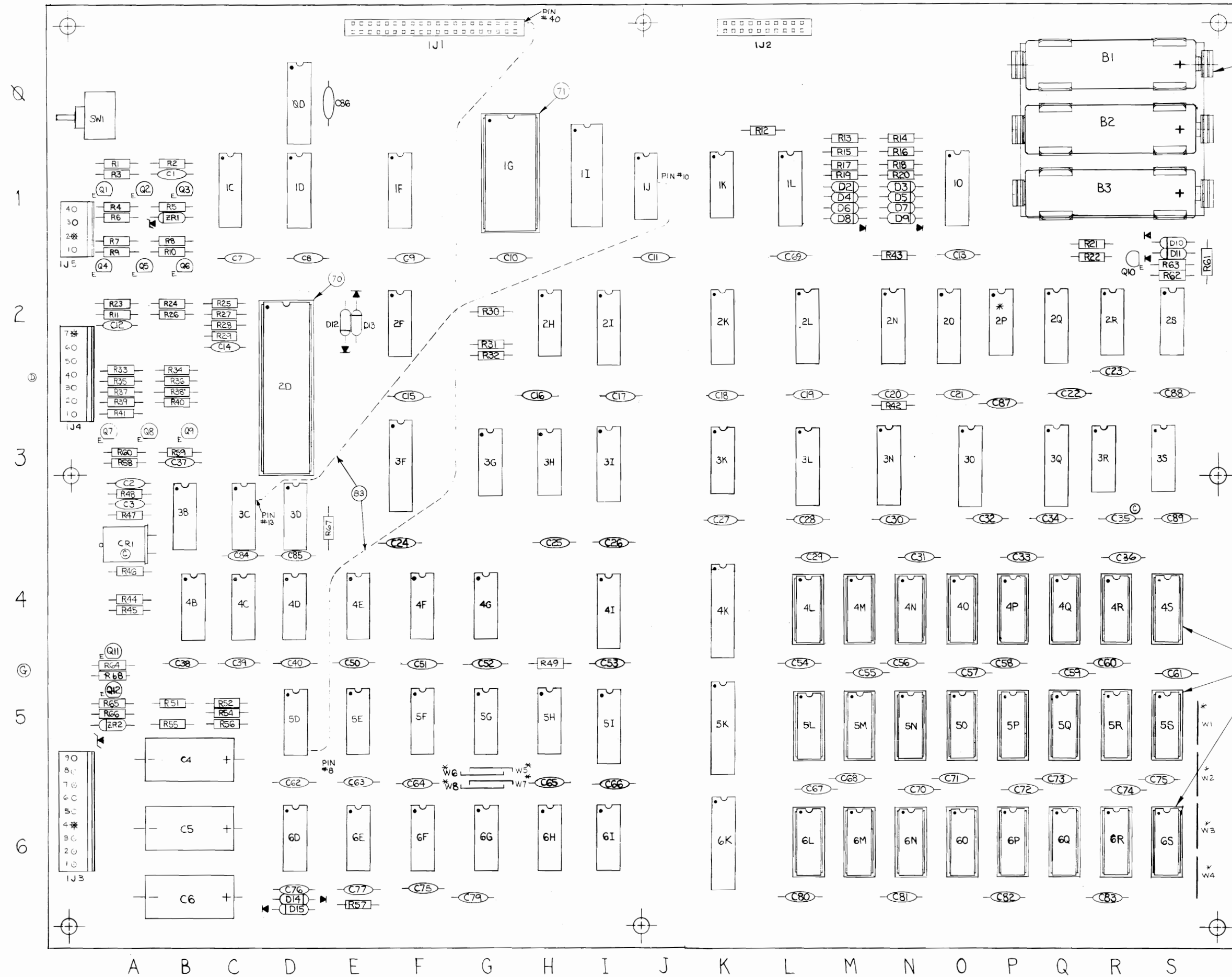
3401 N. California Ave., Chicago, IL 60618
Cable Address: WILCOIN, CHICAGO
(312) 267-2240

ROM Summary

ROM	PART NO.	DESCRIPTION
DEFENDER ROM 1	5343-09621	ROM, 2Kx8 (Green label)
	5343-09636	ROM, 2Kx8 (Red label)
DEFENDER ROM 2	5343-09596	ROM, 4Kx8 (Green label)
	5343-09637	ROM, 4Kx8 (Red label)
DEFENDER ROM 3	5343-09622	ROM, 4Kx8 (Green label)
	5343-09638	ROM, 4Kx8 (Red label)
DEFENDER ROM 4	5343-09623	ROM, 2Kx8 (Green label)
	5343-09639	ROM, 2Kx8 (Red Label)
ROM 5	Not Used	
DEFENDER ROM 6	5343-09600	ROM, 2Kx8 (Green label)
	5343-09640	ROM, 2Kx8 (Red label)
DEFENDER ROM 7	5343-09601	ROM, 2Kx8 (Green label)
	5343-09641	ROM, 2Kx8 (Red label)
DEFENDER ROM 8	5343-09602	ROM, 2Kx8 (Green label)
	5343-09642	ROM, 2Kx8 (Red label)
DEFENDER ROM 9	5343-09603	ROM, 2Kx8 (Green label)
	5343-09643	ROM, 2Kx8 (Red label)
DEFENDER ROM 10	5343-09604	ROM, 2Kx8 (Green label)
	5343-09644	ROM, 2Kx8 (Red label)
DEFENDER ROM 11	5343-09605	ROM, 2Kx8 (Green label)
	5343-09645	ROM, 2Kx8 (Red label)
DEFENDER ROM 12	5343-09606	ROM, 2Kx8 (Green label)
	5343-09646	ROM, 2Kx8 (Red label)
DECODER ROM 1	5342-09015	PROM, 512x8
VIDEO SOUND ROM 1	5343-09618	ROM, 2Kx8

D8356 CPU/Video Board

Upright DEFENDER Games



PARTS LIST
ARRANGED BY GROUPS OF RELATED PARTS

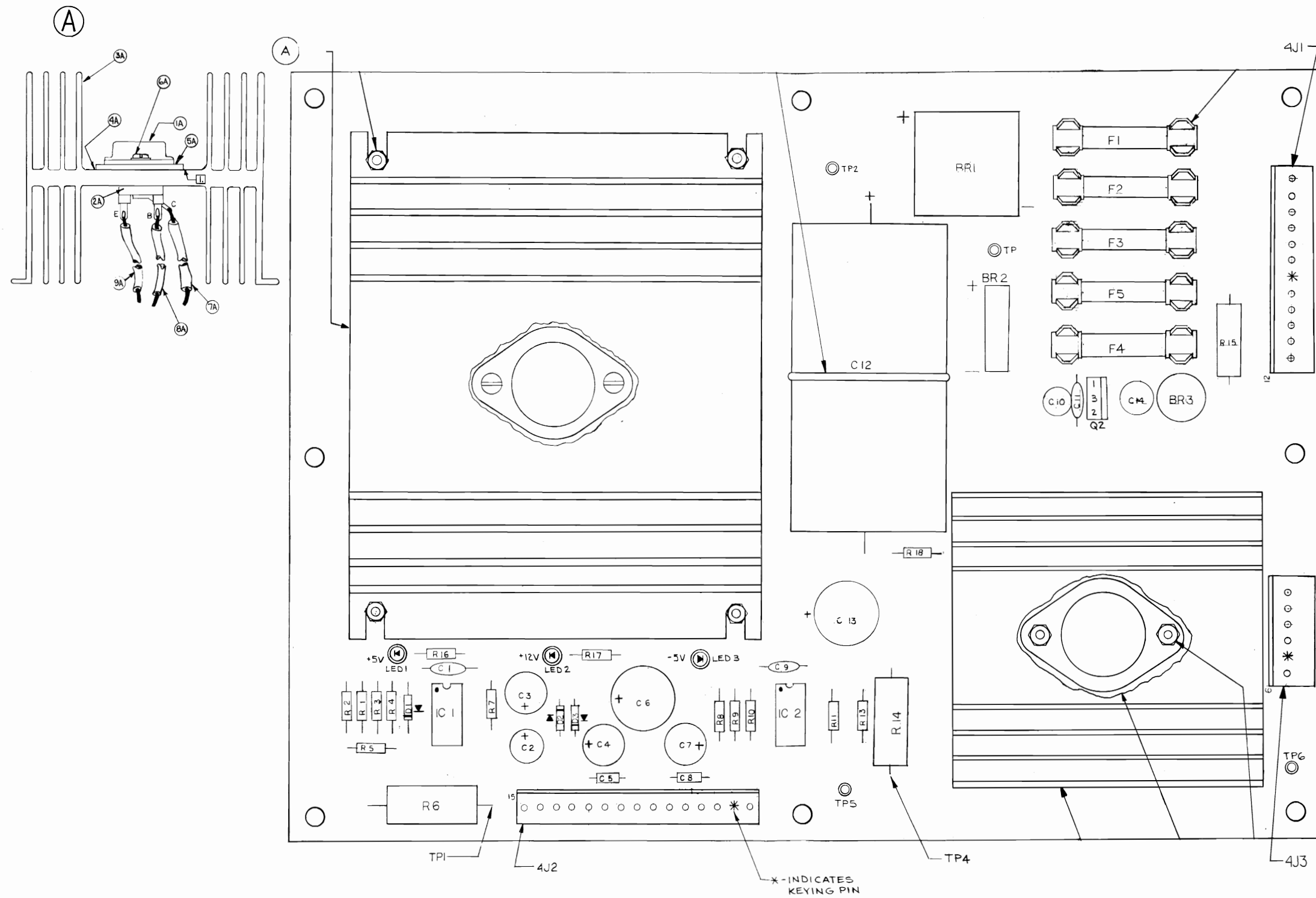
DRAWING DESIGNATION	PART NUMBER	DESCRIPTION
	D-8356	CPU/VIDEO Board Assembly
	5770-09471-00	Bare P.C. Board
INTEGRATED CIRCUITS		
ØD	5281-09532-00	74LS133 13-Input NAND
1C, 1D, 1F, 2K	5370-08989-00 or	8T97 Hex, TS Buffer
	5281-09385-00	74LS367 Hex, TS Buffer
1G	5342-09015-00	7641 512 x 8 PROM (Horiz. Cntrl.)
1I	5340-09017-00	5101 256 x 4 CMOS RAM
1J, 5E	5280-09013-00	7404 Hex Inverter
1K	5310-09237-00	4071 CMOS Quad 2-Input OR
1L, 10	5340-09625-00	7489 16 x 4 RAM
2D	5400-09490-00	6809E Microprocessor
2F	5281-09246-00	74LS139 Dual 2 to 4 Line Decoder
2H	5280-08973-00	7408 Quad AND
2I, 6G, 6H	5281-09485-00	74LS257 Quad Data Multiplexer
2L, 2N, 2O, 2Q	5280-09489-00	9316 4-Bit Bin. Counter
2R, 5F	5280-09475-00	7411 Triple 3-Input AND
2S	5280-09073-00	7400 Quad 2-Input NAND
3B	5281-09215-00	74LS04 Hex Inverter
3C	5281-09533-00	74LS393 Dual 4-Bit Bin. Counter
3D, 3G, 4G	5280-08948-00	7402 Quad 2-Input NOR
3F	5281-09308-00	74LS245 Octal Bus Transceiver
3H, 4F	5280-09547-00	7427 Triple 3-Input POS-NOR
3I, 4I, 5I, 6I	5280-09482-00	74165 8-Bit Shift Register
3K, 4B, 5D, 5H, 6D, 6E	5280-09478-00	7474 Dual D-Type Latch
3L, 3N, 3O, 3Q	5280-09481-00	74153 Dual 4 to 1 Data Multiplexer
3R	5280-09476-00	7421 Dual 4-Input AND
3S	5280-09530-00	7420 Dual 4-Input NAND
4C	5281-09480-00	74LS107 Dual J-K Flip-Flop
4D	5280-09479-00	7486 Quad 2-Input EX-OR
4E	5280-09477-00	7432 Quad 2-Input OR
4K, 5K, 6K	5281-09486-00	74LS374 Octal D-Type Flip-Flop
4L, 4M, 4N, 4O, 4P, 4Q, 4R, 4S, 5L, 5M, 5N, 5O, 5P, 5Q, 5R, 5S, 6L, 6M, 6N, 6O, 6P, 6Q, 6R, 6S	5340-09488-00	4116 16K x 1 Dynamic RAM
5G, 6F	5280-09011-00	7410 Triple 3-Input NAND
RESISTORS		
R1	5010-09039-00	Resistor, FC, 10 Ohm, 5%, 1/4W
R2, 5, 6, 64	5010-09241-00	Resistor, FC, 22K Ohm, 5%, 1/4W
R3	5010-09113-00	Resistor, FC, 33K Ohm, 5%, 1/4W
R4, 7	5010-08997-00	Resistor, FC, 2.7K Ohm, 5%, 1/4W
R8	5010-09359-00	Resistor, FC, 47K Ohm, 5%, 1/4W
R9, 31, 45, 51, 54, 55	5010-08983-00	Resistor, FC, 3.3K Ohm, 5%, 1/4W
R10	5010-09036-00	Resistor, FC, 100 Ohm, 5%, 1/4W
R11, 21, 22, 25, 27, 28, 29, 30, 32, 42, 43, 44, 49, 52, 56, 57, 63, 67, 68	5010-08991-00	Resistor, FC, 4.7K Ohm, 5%, 1/4W

PARTS LIST
ARRANGED BY GROUPS OF RELATED PARTS

DRAWING DESIGNATION	PART NUMBER	DESCRIPTION
RESISTORS (Con't.)		
R12	5010-09442-00	Resistor, FC, 330K Ohm, 5%, 1/4W
R13, 16, 18	5010-09001-00	Resistor, FC, 330 Ohm, 5%, 1/4W
R14, 15, 20	5010-08992-00	Resistor, FC, 560 Ohm, 5%, 1/4W
R17, 19	5010-09314-00	Resistor, FC, 1.2K Ohm, 5%, 1/4W
R23, 47, 48	5010-08998-00	Resistor, FC, 2.2K Ohm, 5%, 1/4W
R26, 66	5010-09034-00	Resistor, FC, 10K Ohm, 5%, 1/4W
R33, 34, 37	5010-09548-00	Resistor, FC, 68 Ohm, 2%, 1/4W
R35, 36, 38, 39, R40, 41	5010-09187-00	Resistor, FC, 150 Ohm, 5%, 1/4W
R46, 58, 59, 60, 61, 65	5010-09358-00	Resistor, FC, 1K Ohm, 5%, 1/4W
R62	5010-09416-00	Resistor, FC, 470 Ohm, 5%, 1/4W
CAPACITORS		
C1	5040-09545-00	Capacitor, 0.22 MFD, 10V, Axial
C2	5043-09492-00	Capacitor, 100 PFD, 50V, Axial
C3	5043-09491-00	Capacitor, 22 PFD, 1K V, Axial
C4, 5, 6	5040-09421-00	Capacitor, 100 MFD, 25V, Radial
C7 thru C11, C13 thru C40, C13 thru C40, C50 thru C89	5043-08996-00	Capacitor, 0.1 MFD, 50V, Axial
C12	5043-09065-00	Capacitor, 470 PFD, 50V, Axial
C41 thru C49 not used		
CONNECTORS		
1J1	5791-09349-00	40 Pin Ribbon Cable Header
1J2	5791-09437-00	20 Pin Ribbon Cable Header
1J3	5791-09027-00	9 Pin Header
1J4	5791-09497-00	7 Pin Header
1J5	5791-09028-00	4 Pin Header
MISCELLANEOUS		
ZR1	5075-09059-00	1N5990A Zener Diode, 3.9V
ZR2	5075-09018-00	1N5996A Zener Diode, 6.8V
D1 not used		
D2 thru D10, D12 thru D15	5070-08919-00	1N4148 Diode
D11	5070-09266-00	1N5817 Diode
Q1 thru Q4, Q6, 11, 12	5160-08938-00	2N4401 Transistor
Q5, Q7 thru Q10	5190-09016-00	2N4403 Transistor
CR1	5520-09495-00	Crystal, 12 MHz
SW1	5641-09371-00	Pushbutton Sw. (Momentary ON)
B1, 2, 3	5880-09022-00	AA Batteries, Alkaline, 1.5V
--	5881-09021-00	Battery Holder #171
--	5700-09006-00	16-Pin IC Socket
--	5700-09004-00	24-Pin IC Socket
--	5700-08985-00	40-Pin IC Socket

D8539 Power Supply Board

Upright & Cocktail DEFENDER Games

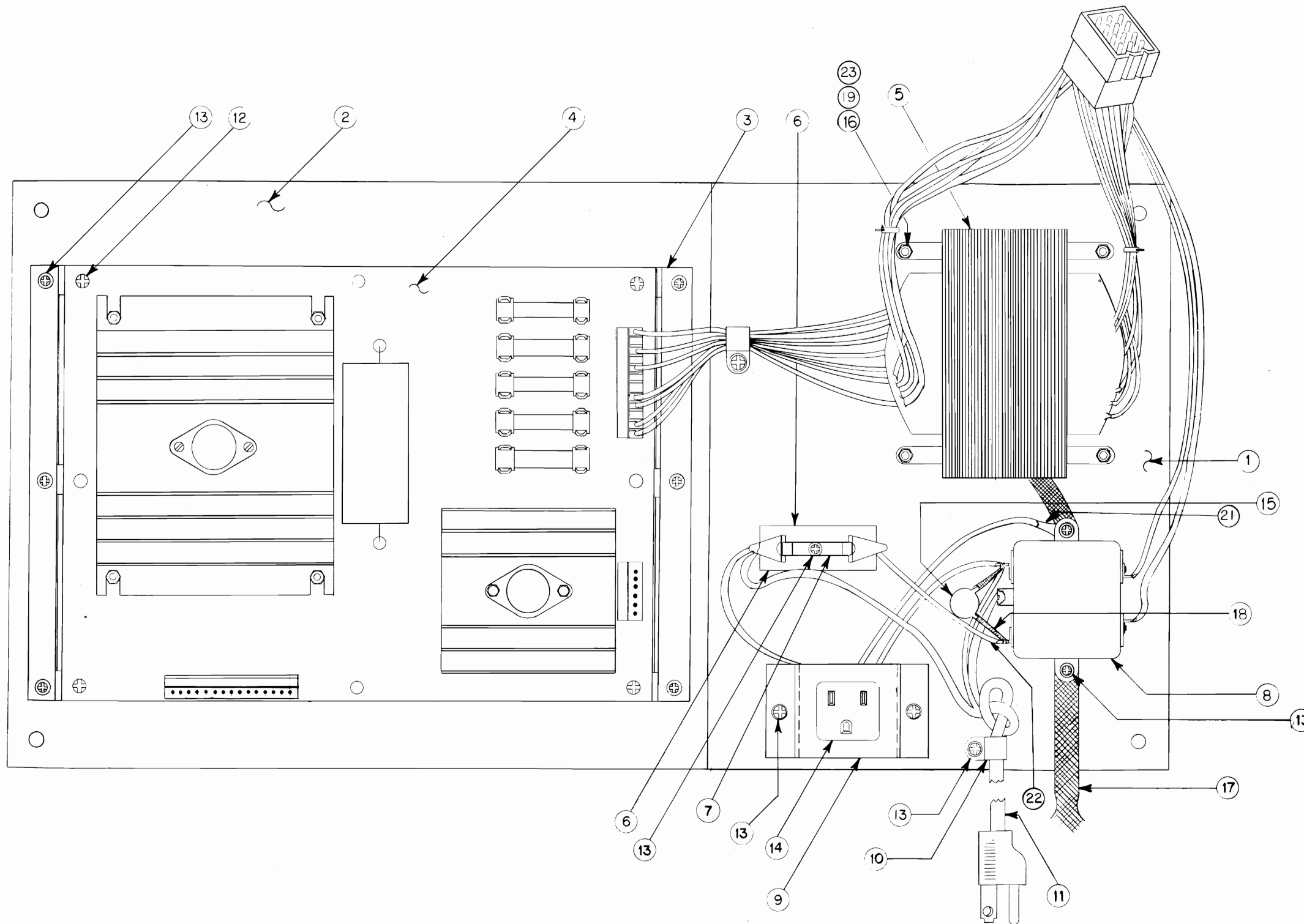


PARTS LIST
ARRANGED BY GROUPS OF RELATED PARTS

DRAWING DESIGNATION	PART NUMBER	DESCRIPTION
FUSES		
F1, 2	5731-09432	Fuse, 7A, S.B.
F3	5731-06314	Fuse, 4A, S.B.
F4	5731-06569	Fuse, 1A, S.B.
F5	5731-08665	Fuse, 2A, S.B.
MISCELLANEOUS		
TP2, 3, 5, 6	5824-09248	Terminal # 1502-1 (Test Point)
LED 1, 2, 3	5671-09019	LED, Red
--	5705-09543	Heat Sink
--	20-09229-00	Thermal Compound, 0.02 Ounce
--	4005-01051-07	Machine Screw, 5-40x7/16
--	4405-01117	Hex Nut, 5-40
--	5701-09538	Insulator, Mica, 3 mil
--	03-7598	Insulator, Nylon
--	03-7520	Tie Wrap
--	5732-09178	Fuseholder
A	B-8416	Heat Sink Assembly
1A	5162-09425	Transistor, NPN, 2N6057
2A	5700-09445	Transistor Socket, T03
3A	5705-09431	Heat Sink
4A	20-09229-00	Thermal Compound, 1.5 Ounce
5A	5701-09538	Insulator, MICA, 3 Mil, T03
6A	4006-01003-8	Machine Screw #6-32 x 1/2"
7A	5853-09591	Lead Wire, #18 AWG, 4", 3/8" stripped (Green)
8A	5853-09592	Lead Wire, #18 AWG, 4", 3/8" stripped (White)
9A	5853-09593	Lead Wire, #18 Awg, 4", 3/8" stripped (Yellow)

D8373 Power Panel

Upright DEFENDER Games

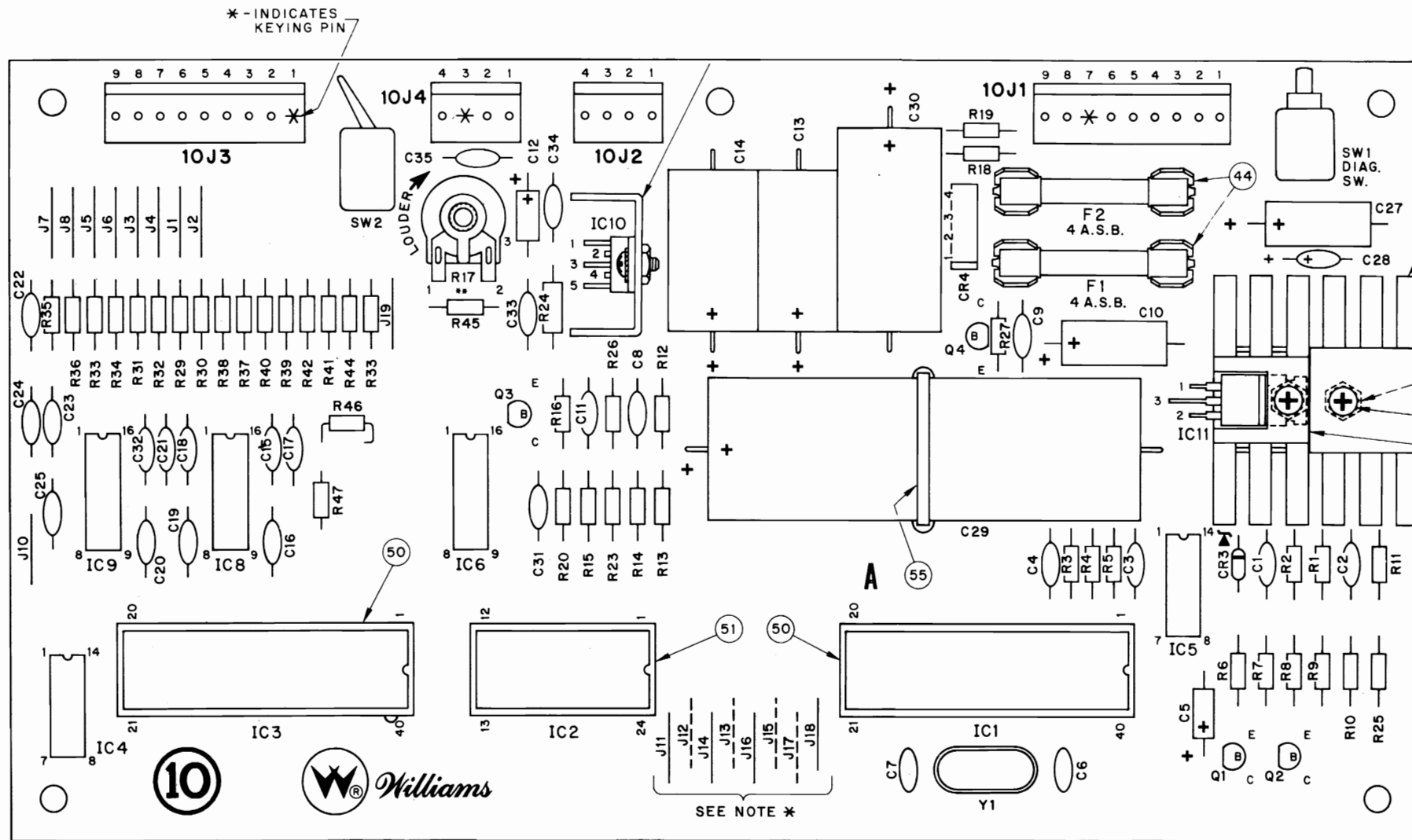


PARTS LIST
PARTS ARE LISTED BY ITEM NUMBER

ITEM NUMBER	PART NUMBER	DESCRIPTION
1	11-580	Power panel board
2	01-7001	Ground plate, Power Supply board
3	01-7002	Bracket, support, Power Supply board
4	D8359	Power Supply board
5	C8529	Transformer assembly, video
6	B6448-1	Mounting assembly, fuse
7	5731-08633 or 5731-06569	Fuse, line, 3A, 115V Fuse, line, 1A, 230V
8	5102-08895	Filter, line, 5A
9	01-6948	Mounting bracket, utility outlet
10	03-6048-6	Clamp, cable, 3/8"
11	5850-06206 or 5850-08728 or 5850-08737 or 5850-08743 or 5850-09128 or 5850-09131	Line cord, Europe Line cord, U.S. Line cord, Australia Line cord, U.S. Los Angeles Line cord, France Line cord, Japan
12	4006-01018-04	Machine screw, #6-32 x 1/4"
13	4108-01022-08	Machine screw, #8-32 x 1/2"
14	5851-09184	Outlet, utility
15	5017-09044 or 5017-09063	Varistor, 130V Varistor, 275V
16	4408-01117	Nut, hex, #8-32
17	20-9223-3	Braid, ground wire
18	20-9256	Sleeving, insulating
19	4703-00008	#8 Lockwasher
20	Not Used	
21	5825-06523	Lug, terminal
22	5852-09575	Wire, 18 gauge
23	4008-01005-22	Machine screw, #8-32 x 1-3/8"

D8121 Sound Board

Upright DEFENDER Games



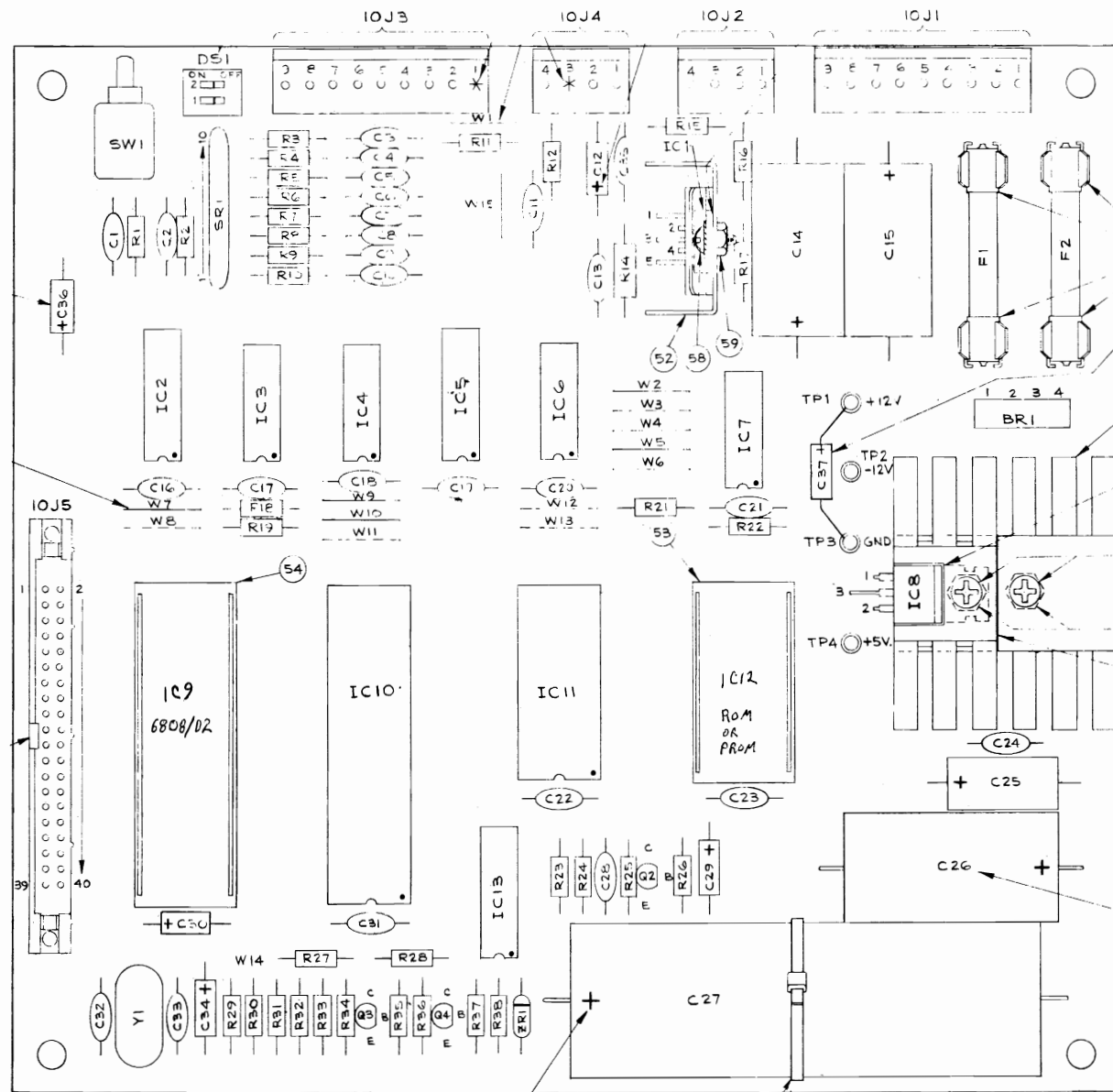
*** NOTE:**
 JUMPERS SHOWN WITH SOLID LINES CONNECTED FOR PROM OPERATION. THOSE SHOWN WITH DASHED LINES CONNECTED FOR ROM OPERATION.

PARTS LIST ARRANGED BY GROUPS OF RELATED PARTS

DRAWING DESIGNATION	PART NUMBER	DESCRIPTION
	D-8121-3001	Video Sound Board Assy.
	C1-2001-137	Bare P.C. Board
INTEGRATED CIRCUITS		
IC1	5400-09150	MC6802, Microprocessor Unit (MPU)
IC2	5343-09618	Video Sound ROM 1
IC3	5430-08972	MC6821, PIA
IC4	5310-09154	4068, 8-Input Nand Gate
IC5	5310-09152	4011, Quad 2-Input Nand Gate
IC6	5371-09152	MC1408, Digital/Analog Converter
IC8, 9	5310-09153	4050, Hex Buffer
IC10	5370-09156	TDA2002V, Audio Amplifier
IC11	5250-09157	1A, 5V, Voltage Regulator
SEMICONDUCTORS		
Q1, 2, 3	5160-08938	2N4401, NPN, Small Signal
Q4	5160-09876	2N6427 NPN
CR3	5075-09018	1N5996, Zener
CR4	5100-09158	MDA200/3N253 Bridge Rectifier
RESISTORS		
R1, 2, 14, 23, 37 thru 45	5010-08991	4.7K Ohm, 1/4W
R3, 4, 5, 15, 16, 20	5010-08983	3.3K Ohm, 1/4W
R6, 12, 13	5010-09359	47K Ohm, 1/4W
R7	5010-09039	10 Ohm, 1/4W
R8, 11, 46, 47	5010-09034	10K Ohm, 1/4W
R9, 10, 25, 27	5010-09358	1K Ohm, 1/4W
R17	not used	
R18	5010-09160	220 Ohm, 1/2W
R19	5010-09161	2.2 Ohm, 1/4W
R24	5010-09181	1 Ohm, 1/2W
R26	5010-09179	3.3 Meg Ohm, 1/4W
R29 thru R36	5010-09036	100 Ohm, 1/4W
CAPACITORS		
C1 thru C4, 15, 24, 25, 32, 35	5043-08980	0.01 MFD, 50V
C5	5041-09163	2.2 MFD, 15V
C6, 7	5043-09169	27 PFD, 1000V
C8	5043-09167	3000 PFD, 1000V
C9	5043-09166	150 PFD, 1000V
C10	5040-09168	25 MFD, 20V
C11	5043-09180	47 PFD, 1000V
C12	5040-09031	1 MFD, 25V
C13	5040-09164	470 MFD, 16V
C14	5040-09165	1000 MFD, 16V
C16 thru C23	5043-09065	470 PFD, 50V
C27	5040-08986	100 MFD, 10V
C28, 31, 33, 34	5043-08996	0.1 MFD, 50V
C29	5040-09376	4,700 MFD, 16V
C30	5040-08893	1000 MFD, 25V
MISCELLANEOUS		
--	5700-09004	24 Pin IC socket
--	5700-08985	40 Pin IC socket
10J1, 10J3	5791-09027	9 Pin connector
10J2, 10J4	5791-09028	4 Pin connector
J1 thru J8, J10 thru J19	5010-09534	0 ohm resistors
F1, 2	5731-06314	4A, 250V, SLO-BLO Fuse
--	5732-09178	Fuse Holder
SW1	5641-09024	SPDT Momentary Switch
SW2	5641-09171	Switch, toggle
Y1	5520-09020	Crystal, 3.58 MHz

D8224 Sound Board

Upright & Cocktail DEFENDER Games

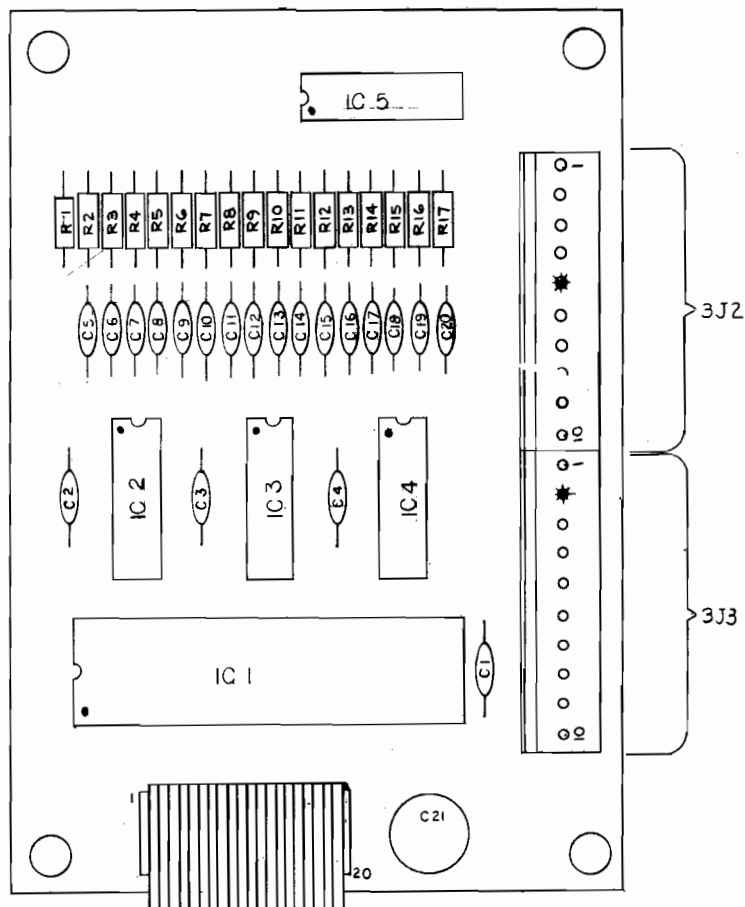


PARTS LIST ARRANGED BY GROUPS OF RELATED PARTS

DRAWING DESIGNATION	PART NUMBER	DESCRIPTION
	D-8224-3001	Video Sound Board Assy.
	01-2001-146-5	Bare P.C. Board
INTEGRATED CIRCUITS		
IC1	5370-09156	TDA2002V, Audio Amplifier
IC2	5280-09012	7442 BCD Decoder
IC3	5280-09073	7400, Quad 2-Input Nand Gate
IC4	5280-08973	7408, Quad 2-Input And Gate
IC5	5310-09153	4050, Hex Buffer
IC6	5310-09154	4068, 8-Input Nand Gate
IC7	5310-08971	14069, Hex Inverter
IC8	5250-09157	1A, 5V, Voltage Regulator
IC9	5400-09250	MC6808, Microprocessbr Unit (MPU)
IC10	5430-08972	MC6821, PIA
IC11	5340-09003	6810, RAM
IC12	5343-09618	Video Sound ROM 1
IC13	5371-09152	MC1408, Digital/Analog Converter
SEMICONDUCTORS		
Q2, 3, 4	5160-08938	2N4401, NPN, Small Signal
ZR1	5075-09018	1N5996, Zener
BR1	5100-09158	MDA200/3N253 Bridge Rectifier
RESISTORS		
R1, 18, 19, 21, 22, 27, 30 thru 32	5010-08991	4.7K Ohm, 1/4W
R2 thru 10	5010-09036	100 Ohm, 1/4W
R11	5010-09363	5.6K Ohm, 1/4W
R12, 15, 28, 36, 38	5010-09358	1K Ohm, 1/4W
R14	5010-09181	1 Ohm, 1/2W
R16	5010-09161	2.2 Ohm, 1/4W
R17	5010-09160	220 Ohm, 1/2W
R23, 24, 26	5010-08983	3.3K Ohm, 1/4W
R25	5010-09179	3.3 Meg Ohm, 1/4W
R29	5010-09359	47K Ohm, 1/4W
R33, 35, 37	5010-09034	10K Ohm, 1/4W
R34	5010-09039	10 Ohm, 1/4W
SR1	5019-09362	4.7K Ohm, 10 Pin SIP
CAPACITORS		
C1, 16 thru 23, 31	5043-08980	0.01 MFD, 50V
C2 thru 10	5043-09065	470 PFD, 50V
C11	5043-09345	0.001 MFD, 100V
C12, 30, 36	5040-09365	1 MFD, 63V
C13, 24, 35	5043-08996	0.1 MFD, 50V
C14	5040-09165	1000 MFD, 16V
C15	5040-09164	470 MFD, 16V
C25	5040-08986	100 MFD, 10V
C26	5040-08893	1000 MFD, 25V
C28	5043-09180	47 PFD, 1000V
C27	5040-09376	4.700 MFD, 16V
C29	5041-09243	10 MFD, 10V
C32,33	5043-09169	27 PFD, 1000V
C34	5041-09163	2.2 MFD, 15V
MISCELLANEOUS		
--	5700-09004	24 Pin IC socket
--	5700-08985	40 Pin IC socket
10J1, 10J3	5791-09027	9 Pin connector
10J2, 10J4	5791-09028	4 Pin connector
W1 thru W15	5010-09534	0 ohm resistors
F1, 2	5731-06314	4A,250V, SLO-BLO Fuse
	5732-09178	Fuse Holder
SW1	5641-09024	SPDT Momentary Switch
DS1	5645-09330	DIP switch, 2 pos.
Y1	5520-09020	Crystal, 3.58 MHz

D8353 Interface Board

Upright DEFENDER Games



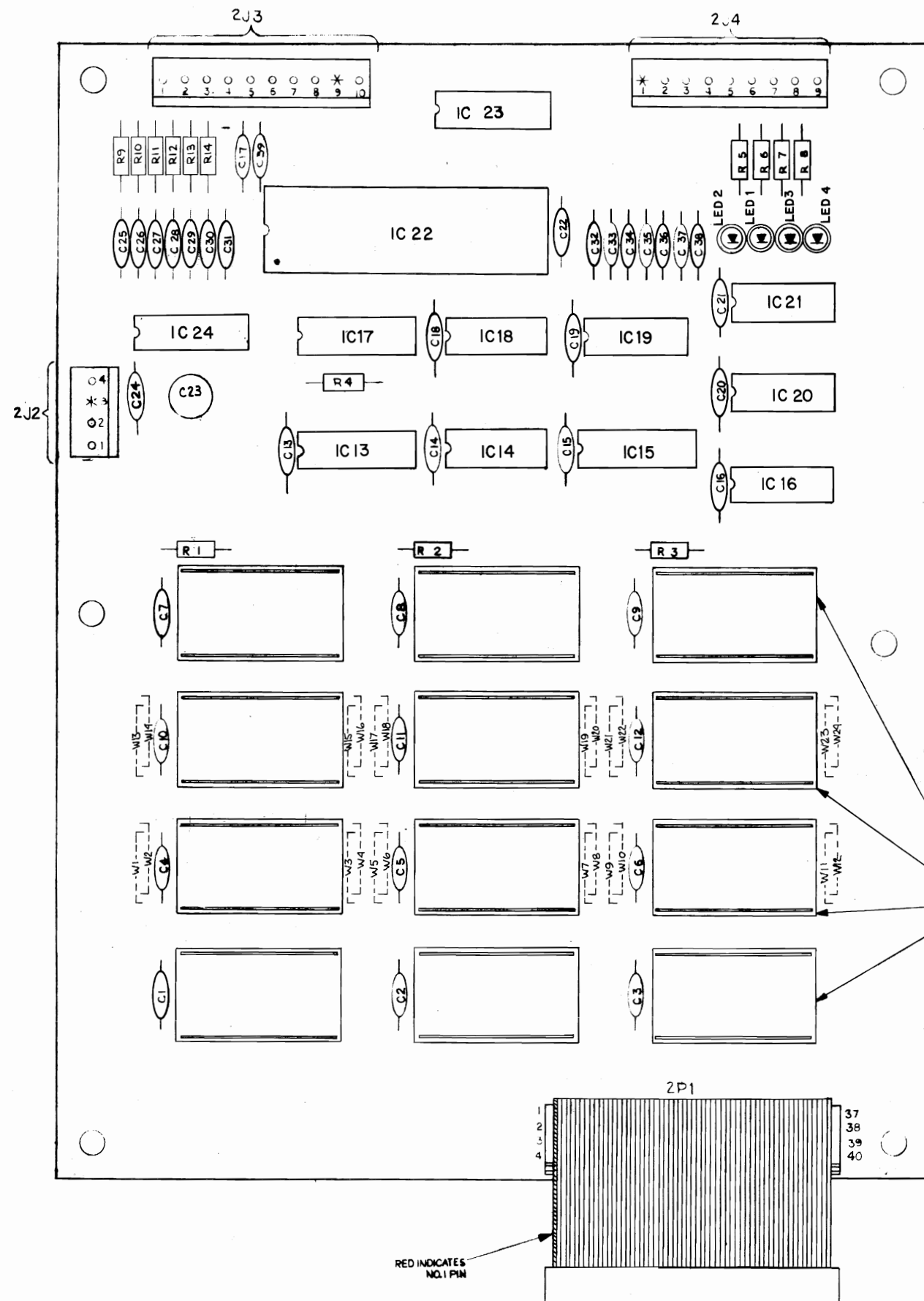
PARTS LIST

ARRANGED BY GROUPS OF RELATED PARTS

DRAWING DESIGNATION	PART NUMBER	DESCRIPTION
	C8353	Interface Board Assembly
	5772-09473	Bare P.C. Board
INTEGRATED CIRCUITS		
IC1	5430-08972	MC6821 PIA
IC2, 3, 4	5310-08975	4049, Inverting Hex Buffer
IC5	5019-09239	15 Res. DIP Pack, 4.7K Ohm, 5%, 1/4W
RESISTORS		
R1	5010-08991	Resistor, 4.7K Ohm, 5%, 1/4W
R2 thru R17	5010-09358	Resistor, 1K Ohm, 5%, 1/4W
CAPACITORS		
C1, 2, 3, 4	5043-08980	Capacitor, 0.01 MFD, 50V, Axial
C5 thru C20	5043-09065	Capacitor, 470 PFD, 50V, Axial
C21	5040-09421	Capacitor, 100 MFD, 25V, Radial
CONNECTORS		
J1 not used		
J2, 3	5791-09444	10 Pin Header
3P1	5795-09540	20 Pin Ribbon Cable Assembly

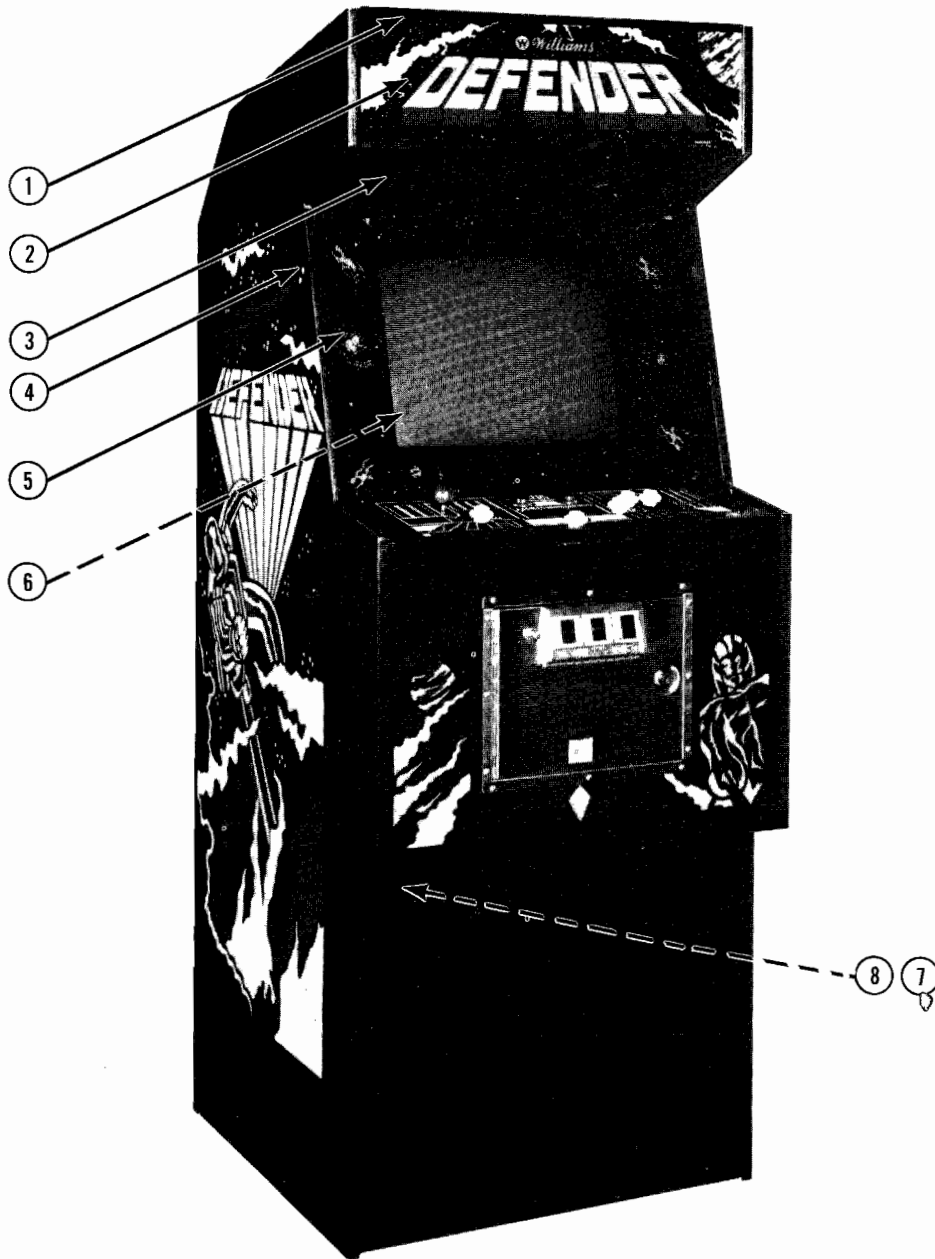
D8520 ROM Board

Upright & Cocktail DEFENDER Games

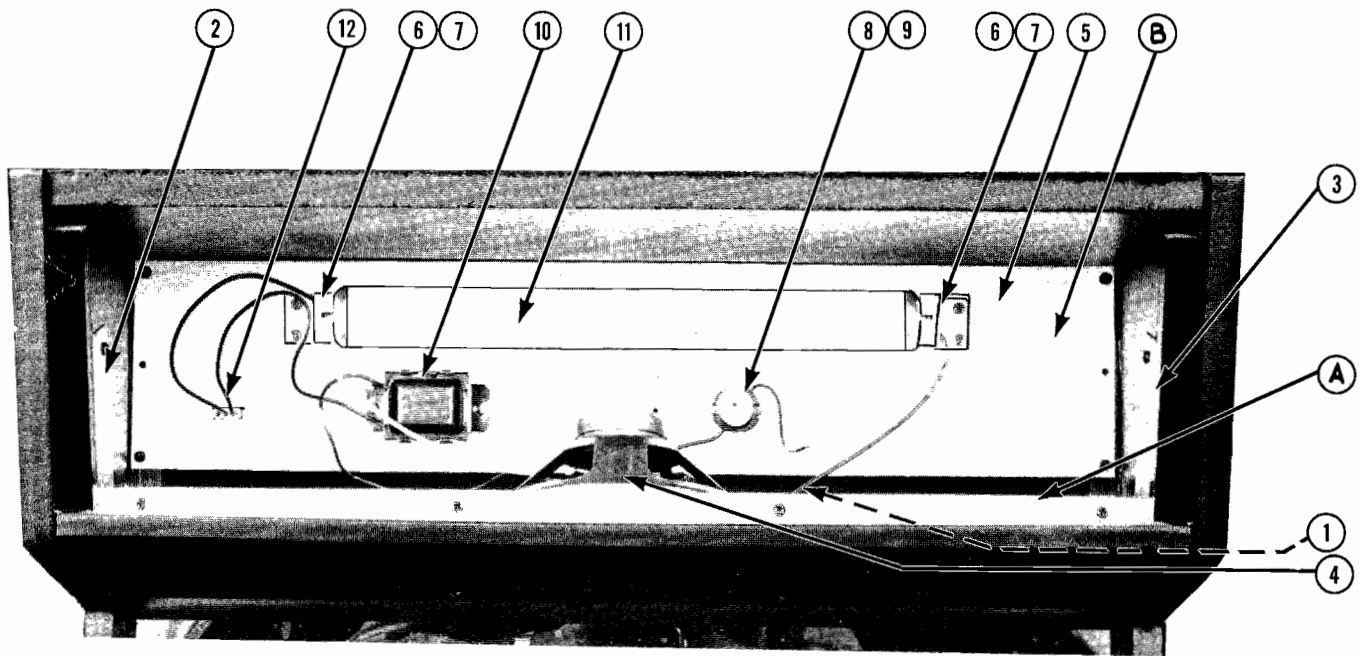


PARTS LIST ARRANGED BY GROUPS OF RELATED PARTS

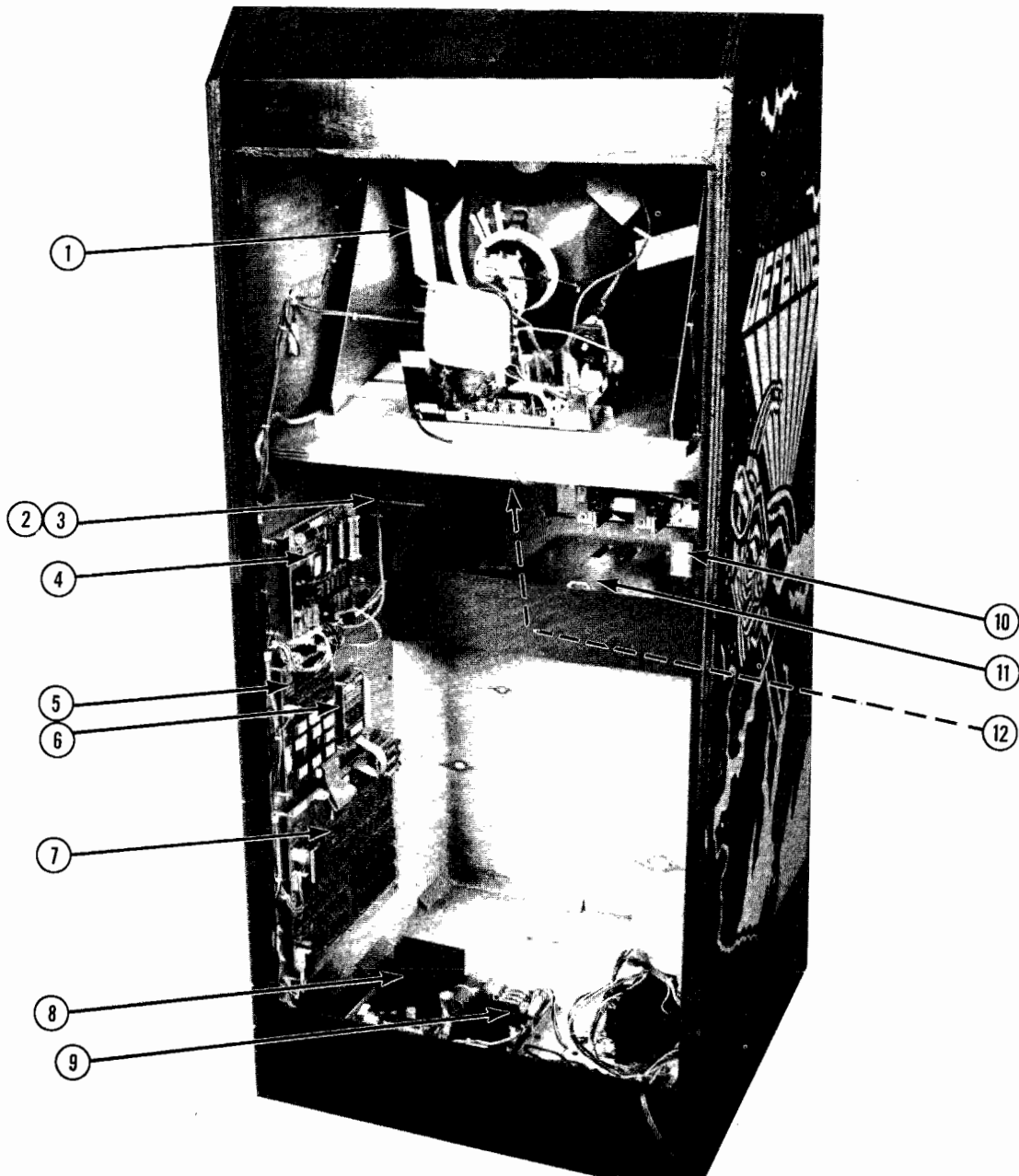
DRAWING DESIGNATION	PART NUMBER	DESCRIPTION
	D-8357 5771-09472	ROM Board Assembly Bare P.C. Board
INTEGRATED CIRCUITS		
IC1	5343-09621	ROM, 2Kx8 (Green label)
	5343-09636	ROM, 2Kx8 (Red label)
IC2	5343-09596	ROM, 4Kx8 (Green label)
	5343-09637	ROM, 4Kx8 (Red label)
IC3	5343-09622	ROM, 4Kx8 (Green label)
	5343-09638	ROM, 4Kx8 (Red label)
IC4	5343-09623	ROM, 2Kx8 (Green label)
	5343-09639	ROM, 2Kx8 (Red Label)
IC5	Not Used	
IC6	5343-09600	ROM, 2Kx8 (Green label)
	5343-09640	ROM, 2Kx8 (Red label)
IC7	5343-09601	ROM, 2Kx8 (Green label)
	5343-09641	ROM, 2Kx8 (Red label)
IC8	5343-09602	ROM, 2Kx8 (Green label)
	5343-09642	ROM, 2Kx8 (Red label)
IC9	5343-09603	ROM, 2Kx8 (Green label)
	5343-09643	ROM, 2Kx8 (Red label)
IC10	5343-09604	ROM, 2Kx8 (Green label)
	5343-09644	ROM, 2Kx8 (Red label)
IC11	5343-09605	ROM, 2Kx8 (Green label)
	5343-09645	ROM, 2Kx8 (Red label)
IC12	5343-09606	ROM, 2Kx8 (Green label)
	5343-09646	ROM, 2Kx8 (Red label)
IC13	5280-09012	7442 BCD Decoder
IC14, 16	5280-09477	7432 Quad 2-Input OR
IC15	5281-09246	74LS139 Dual 2 to 4 Line Decoder
IC17	5281-09501	74LS395 4-bit Universal Shift Reg.
IC18	5280-09073	7400 Quad 2-Input NAND
IC19	5280-09013	7404 Hex Inverter
IC20	5280-09551	7425 Dual 4-Input NOR w/strobe
IC21	5280-08949	7405 Hex Inverter w/open-collector outputs
IC22	5430-08972	MC6821, PIA
IC23	5019-09239	15 Res. DIP Pack, 4.7K Ohm, 5%, 1/4W
IC24	5310-08975	4049 Inverting Hex Buffer
RESISTORS		
R1 thru R3, R5 thru R8	5010-09442	Resistor, FC, 330 Ohm, 5%, 1/4W
R4	5010-08991	Resistor, FC, 4.7K Ohm, 5%, 1/4W
R9 thru R14	5010-09358	Resistor, FC, 1K Ohm, 5%, 1/4W
CAPACITORS		
C1 thru C16, C18 thru C22	5043-08980	Capacitor, 0.01 MFD, 50V, Axial
C17, C25 thru C39	5043-09065	Capacitor, 470 PFD, 50V, Axial
C23	5040-09421	Capacitor, 100 MFD, 25V, Radial
C24	5043-08996	Capacitor, 1 MFD, 50V, Axial
CONNECTORS		
--	5700-09004	24 Pin IC Socket
2J2	5791-09028	4 Pin Male Connector
2J3	5791-09444	10 Pin Male Connector
2J4	5791-09027	9 Pin Male Connector
2P1	5795-09352	40 Pin Ribbon Cable Assembly
MISCELLANEOUS		
W1 thru W24	5010-09534	Resistor, 0 ohm
LED 1 thru LED 4	5671-09019	LED, Red



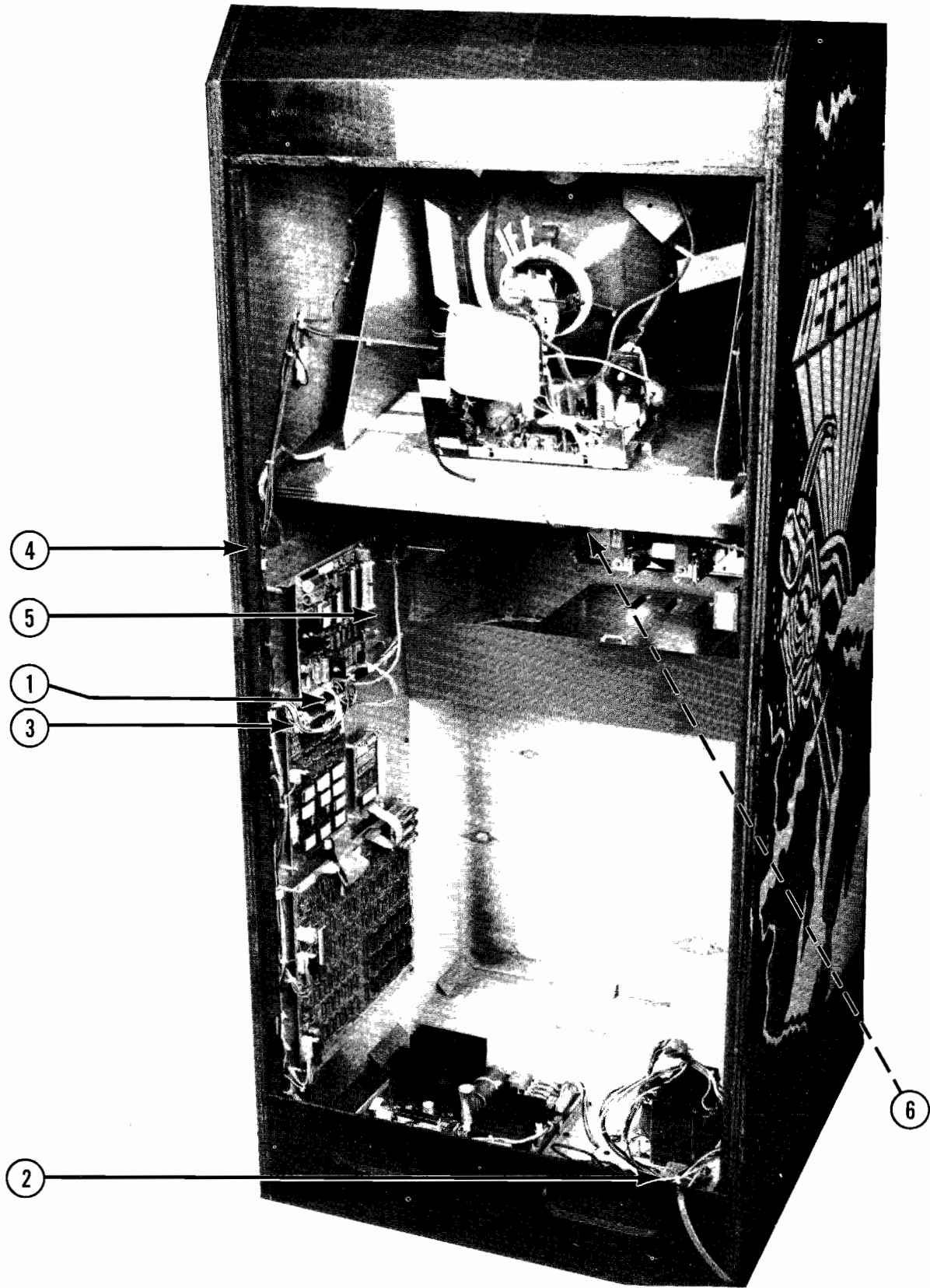
ITEM	DESCRIPTION	PART NO.
1	TOP CABINET MOLDING	03-7590
2	TOP NAME PLATE	08-7382
3	MOLDING ASSEMBLY	D8452
4	TOP FACE MOLDING	03-7587
5	FACE PLATE	08-7380
6	CRT BEZEL	03-7594
7	TOGGLE SWITCH MOUNTING PLATE	01-5185
8	POWER ON-OFF SWITCH, TOGGLE 125V, 6A/250V 3A	5640-06137



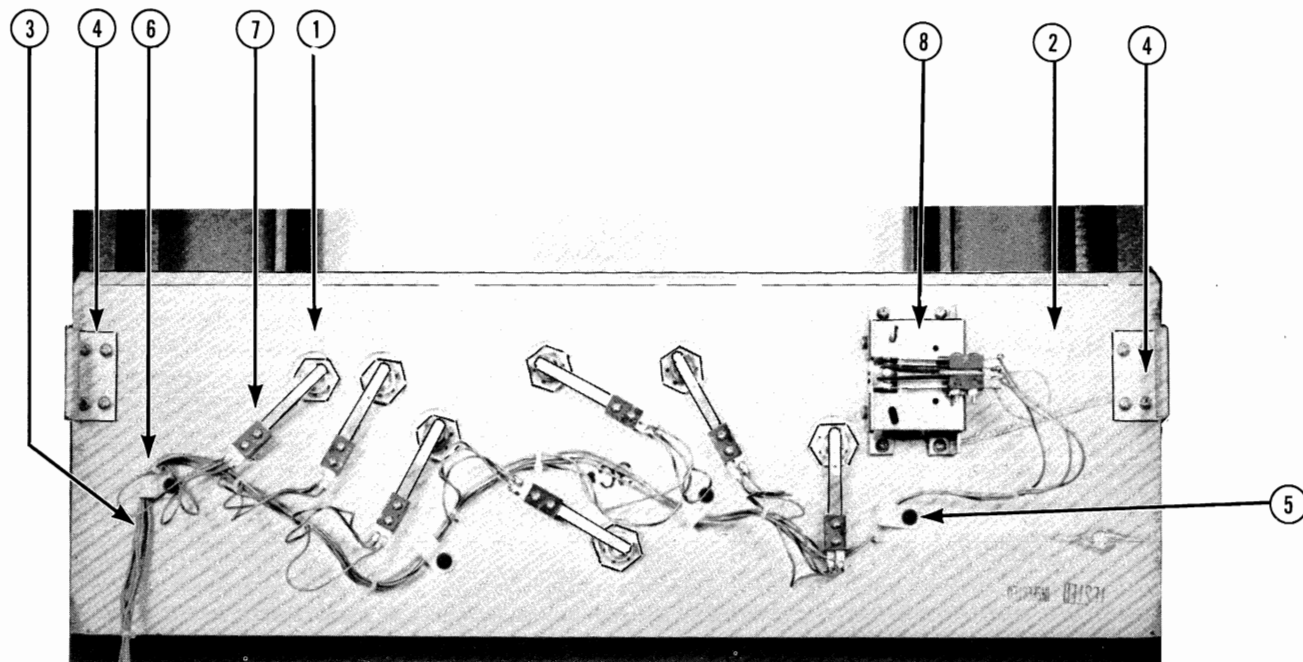
ITEM	DESCRIPTION	PART NO.
A	SPEAKER PANEL ASSEMBLY D-8371	
1	CABLE, SPEAKER	C-8441
	CABLE CLAMP, 3/16-INCH	03-6048-3
	CONNECTOR, 3-PIN	5792-09110
	TERMINAL PIN	5821-09081
2	SPEAKER MOUNTING BRACKET, LEFT	01-6996
3	SPEAKER MOUNTING BRACKET, RIGHT	01-6997
4	SPEAKER, 4-OHM, 6-INCH	5555-09382-01
	COVER, SPEAKER PANEL	03-7588
B	FLUORESCENT REFLECTOR ASSEMBLY D-8374	
5	REFLECTOR PANEL	01-7005
6	LAMP SOCKET	20-8746
7	MOUNTING BRACKET	01-3827
8	STARTER SOCKET	20-8747
9	STARTER	20-8748-1
10	BALLAST	20-8749-8
11	LAMP, FLUORESCENT	24-6597-5
12	CONNECTOR, 3-PIN	5792-09395
	TERMINAL PIN	5821-09081



ITEM	DESCRIPTION	PART NO.
1	MONITOR, COLOR, 19-INCH	5675-09516
2	VOLUME CONTROL, 5K OHM, 1W	5014-09170
3	VOLUME CONTROL MOUNTING BOARD	01-6858
4	SOUND BOARD WITH BRACKET	C-8277-3001
	SOUND BOARD	D-8224-3001 or
		D-8125-3001
5	ROM BOARD WITH ROMS	D-8520-3001
6	INTERFACE BOARD ASSEMBLY	C-8358
7	CPU/VIDEO BOARD ASSEMBLY	R-8356
8	POWER SUPPLY BOARD ASSEMBLY	D-8359
9	POWER PANEL	D-8373-3001
10	SAFETY INTERLOCK SWITCH	5643-09556
11	CASHBOX LOCK BRACKET (DEEP)	01-7061
	CASHBOX LOCK BRACKET (SHALLOW)	01-7023
	(USED IN SOME MODELS)	
12	CAM PLATE, COIN DOOR LOCK	01-6915



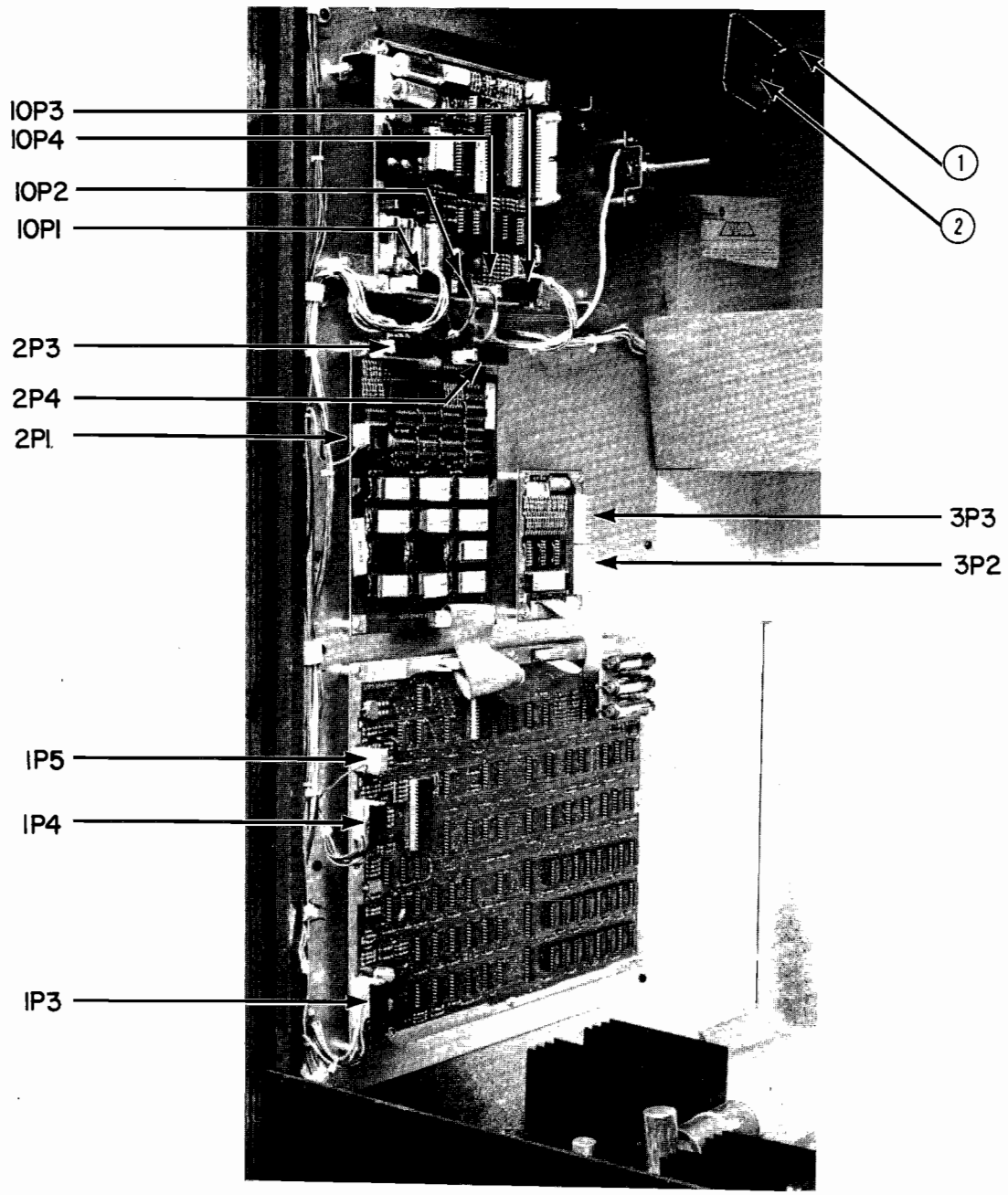
ITEM	DESCRIPTION	PART NO.
1	SOUND SELECT CABLE	B-8440
	CONNECTOR, 9-PIN (2P4, 10P3)	5792-09290
	CONNECTOR COVER, 9-PIN	5794-09297
	POLARIZING KEY	5823-09360
2	AC VOLTAGE CABLE ASSEMBLY	C-8530
	SAFETY INTERLOCK SWITCH	5643-09556
	CABLE	D-8436
	CONNECTOR, 3-PIN (8P1)	5791-09111
	TERMINAL PIN	5820-09080
	CONNECTOR, 12-PIN (6P1)	5792-09109
	CONNECTOR, 2-PIN (5P1)	5792-09454
20 AMP REQUIRED		
	TERMINAL PIN	5821-09081
3	COIN DOOR INTERFACE CABLE	C-8531
	CABLE	D-8438
	CONNECTOR, 15-PIN (6J2)	5792-09094
	TERMINAL PIN	5821-09079
	CONNECTOR, 4-PIN (1P5)	5792-09288
	CONNECTOR COVER, 4-PIN	5794-09295
	CONNECTOR, 6-PIN (4P3)	5792-09565
	CONNECTOR COVER, 6-PIN	5794-09522
	CONNECTOR, 10-PIN (2P3)	5792-09502
	CONNECTOR COVER, 10-PIN	5794-09569
	POLARIZING KEY	5823-09360
4	DC POWER CABLE	D-8437
	CONNECTOR, 3-PIN (8J2)	5791-09111
	TERMINAL PIN	5820-09080
	CONNECTOR COVER, 4-PIN	5794-09295
	CONNECTOR, 4-PIN (10P2)	5792-09564
	CONNECTOR, 4-PIN (2P2)	5792-09288
	CONNECTOR, 6-PIN (5P2)	5792-09517
	CONNECTOR COVER, 6-PIN	5794-09522
	CONNECTOR, 7-PIN (1P4)	5792-09496
	CONNECTOR COVER, 7-PIN	5794-09568
	CONNECTOR 9-PIN, #18 Awg REQUIRED, (1P3, 10P1)	5792-09336
	CONNECTOR COVER, 9-PIN	5794-09297
	CONNECTOR, 15-PIN (4P2)	5792-09567
	CONNECTOR COVER, 15-PIN	5794-09523
	POLARIZING KEY	5823-09360
5	VOLUME CONTROL CABLE ASSEMBLY	A8450
	CABLE	B8439
	CONNECTOR, 4-PIN (10P4)	5792-09103
	TERMINAL PIN	5822-09076
6	MEMORY INTERLOCK SW. BRACKET	01-5589
	INTERLOCK SW. MEMORY	5643-09268



ITEM	DESCRIPTION	PART NO.
1	CONTROL PANEL, COMP.	D8412
	BUTTON ASSEMBLY, WHITE	A8512
	BUTTON ASSEMBLY, RED	A8513
	BUTTON ASSEMBLY, GREEN	A8514
	BUTTON, WHITE	03-7592-5
	BUTTON, RED	03-7592-4
	BUTTON, GREEN	03-7592-2
	BUTTON, BODY WHITE	03-7593-5
	BUTTON, BODY RED	03-7593-4
	BUTTON, BODY GREEN	03-7593-2
	RETAINING RING	20-8712-31
	SPRING	10-366
2	CONTROL PANEL ASSEMBLY	D8413
3	CABLE, CONTROL PANEL	D8435
	CONNECTOR, 10-PIN, (3P2, 3P3)	5792-09502
	CONNECTOR COVER, 10-PIN	5794-09569
	POLARIZING KEY	5823-09360
4	LATCH BRACKET	01-6994
5	CABLE CLAMP 3/16-INCH	03-6048-3
6	CABLE CLAMP 3/8-INCH	03-6048-6
7	SWITCH, MOLDED	03-7614
8	JOY STICK ASSEMBLY	20-9254

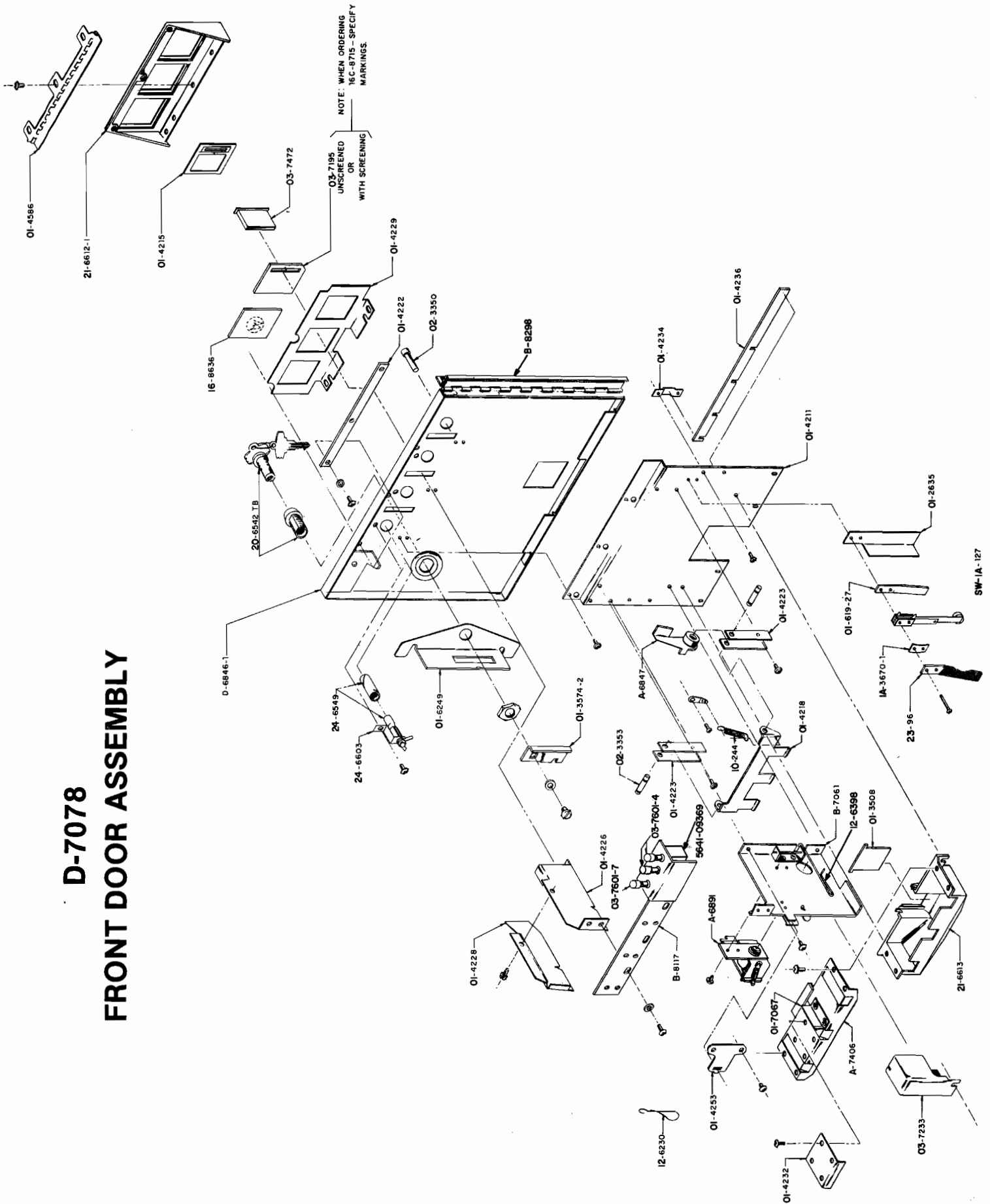
PARTS LIST
ARRANGED BY GROUPS OF RELATED PARTS

DRAWING DESIGNATION	PART NUMBER	DESCRIPTION
	D-8359	Power Supply Assembly, Complete
	5773-09474	Bare P.C. Board
	B-8416	Heat Sink Assembly
INTEGRATED CIRCUITS		
IC1, 2	5460-09424	Voltage Regulator 723
TRANSISTORS		
Q1	5161-09552	2N3055 Transistor, NPN
Q2	5250-09515	Voltage Regulator 7905
DIODES		
D1, 2, 3	5070-06258	Diode, 1N4001
BR1	5100-09418	Bridge Rectifier, 35A, 100V
BR2	5100-09513	Bridge Rectifier, 4.0A, 50V
BR3	5100-09514	Bridge Rectifier, 1.0A, 50V
RESISTORS		
R1, 9	5013-09427	Resistor, 4.99K Ohm, 1%, 1/4W
R2	5013-09426	Resistor, 2.15K Ohm, 1%, 1/4W
R3	5010-09428	Resistor, 1.5K Ohm, 2%, 1/4W
R4	5010-09085	Resistor, 1.5K Ohm, 5%, 1/4W
R5	5010-09508	Resistor, 270 Ohm, 2%, 1/4W
R6	5012-09429	Resistor, 0.12 Ohm, 5%, 5W
R7, R8	5010-09541	Resistor, 2.7K Ohm, 2%, 1/4W
R10	5013-09542	Resistor, 7.32K Ohm, 1%, 1/4W
R11	5010-09509	Resistor, 1.1K Ohm, 2%, 1/4W
R12	not used	
R13	5010-09510	Resistor, 12K Ohm, 2%, 1/4W
R14	5012-09512	Resistor, 0.27 Ohm, 5%, 5W
R15	5012-09544	Resistor, 2.0 Ohm, 5%, 5W
R16, 18	5010-09416	Resistor, 470 Ohm, 5%, 1/4W
R17	5010-09314	Resistor, 1.2K Ohm, 5%, 1/4W
CAPACITORS		
C1	5043-09065	Capacitor, 470 PFD, 50V, Axial
C2	5040-09422	Capacitor, 47 MFD, 50V, Radial
C3, 7	5040-09421	Capacitor, 100 MFD, 25V, Radial
C4	5040-09423	Capacitor, 330 MFD, 10V, Radial
C5, 8, 11	5043-08996	Capacitor, 0.1 MFD, 50V, Axial
C6	5040-09420	Capacitor, 1000 MFD, 25V, Radial
C9	5043-09492	Capacitor, 100 PFD, 50V, Axial
C10	5040-09493	Capacitor, 22 MFD, 10V, Radial
C12	5040-09419	Capacitor, 18,000 MFD, 20V, Radial
C13	5040-09504	Capacitor, 4700 MFD, 35V, Radial
C14	5040-09506	Capacitor, 220 MFD, 16V, Radial
MALE CONNECTORS		
4J1	5791-09043	Header, 12 Pin
4J2	5791-09074	Header, 15 Pin
4J3	5791-09038	Header, 6 Pin



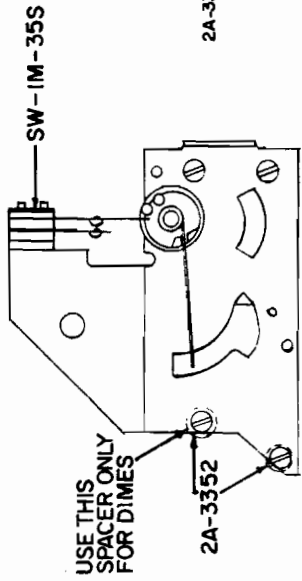
ITEM	DESCRIPTION	PART NO.
1	TRUNK LATCH BRACKET	01-7052
2	TRUNK LATCH	20-9252

D-7078 FRONT DOOR ASSEMBLY

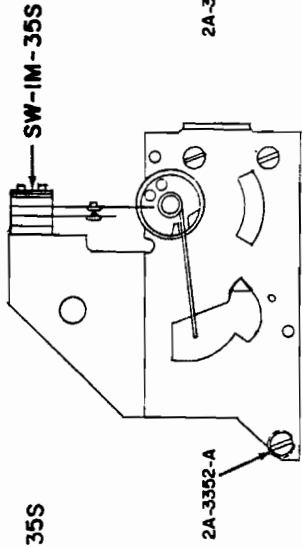


SW-1A-127

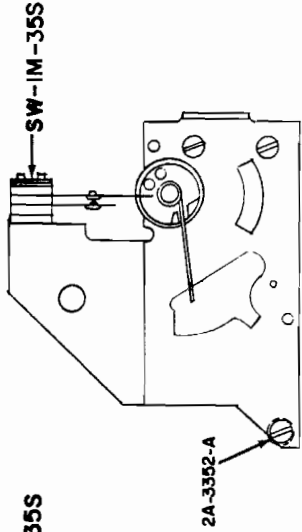
COIN TRIP ASSEMBLIES



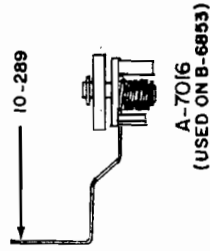
B-6853
U.S.A. DIMES & QUARTERS
ALSO FOREIGN COINS UP TO
U.S.A. QUARTER SIZE



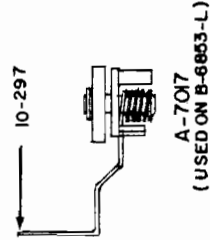
B-6853-L
U.S.A. DOLLAR COIN
ALSO FOREIGN COINS LARGER
THAN U.S.A. QUARTER BUT
SMALLER THAN U.S.A. HALF
DOLLAR COIN



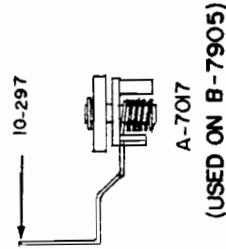
B-7905
FOREIGN COINS EQUIVALENT
TO AND LARGER THAN U.S.A.
HALF DOLLAR COINS



A-7016
(USED ON B-6853)



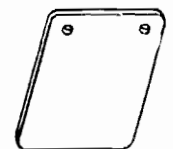
A-7017
(USED ON B-6853-L)



A-7017
(USED ON B-7905)



IA-4245



IA-4244