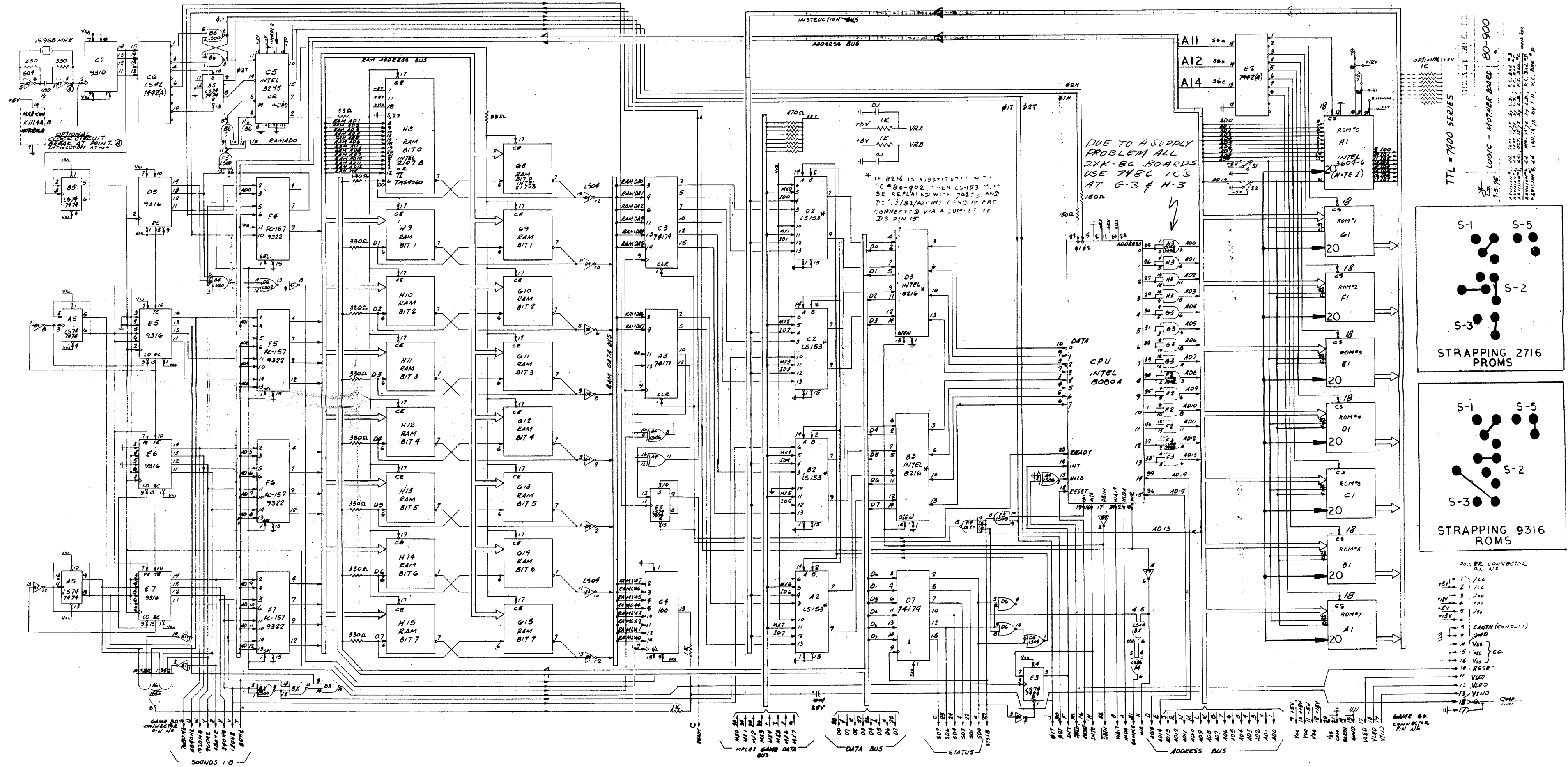


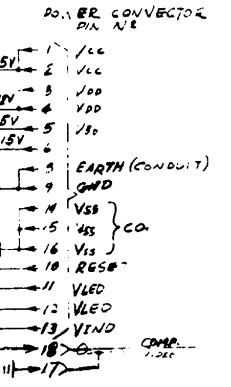
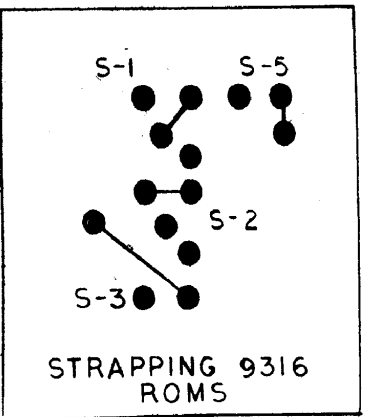
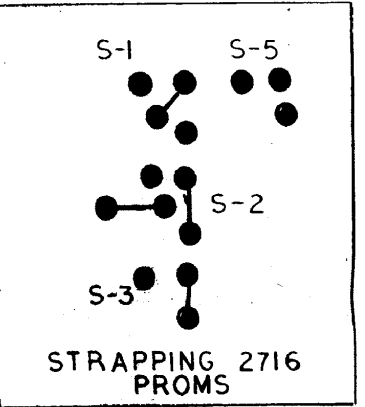
SCHEMATIC PART NO. M051-90000-A000



DUE TO A SUPPLY PROBLEM ALL 2XK-86 BOARDS USE 7486 IC'S AT G-3 & H-3

* IF 8216 IS SUBSTITUTED WITH IC #80-902 THEN LS153 MUST BE REPLACED WITH 74223 AND D2, 2/BZ/ARENS 1 AND 15 ARE CONNECTED VIA A SUM-15 TO D3 PIN 15

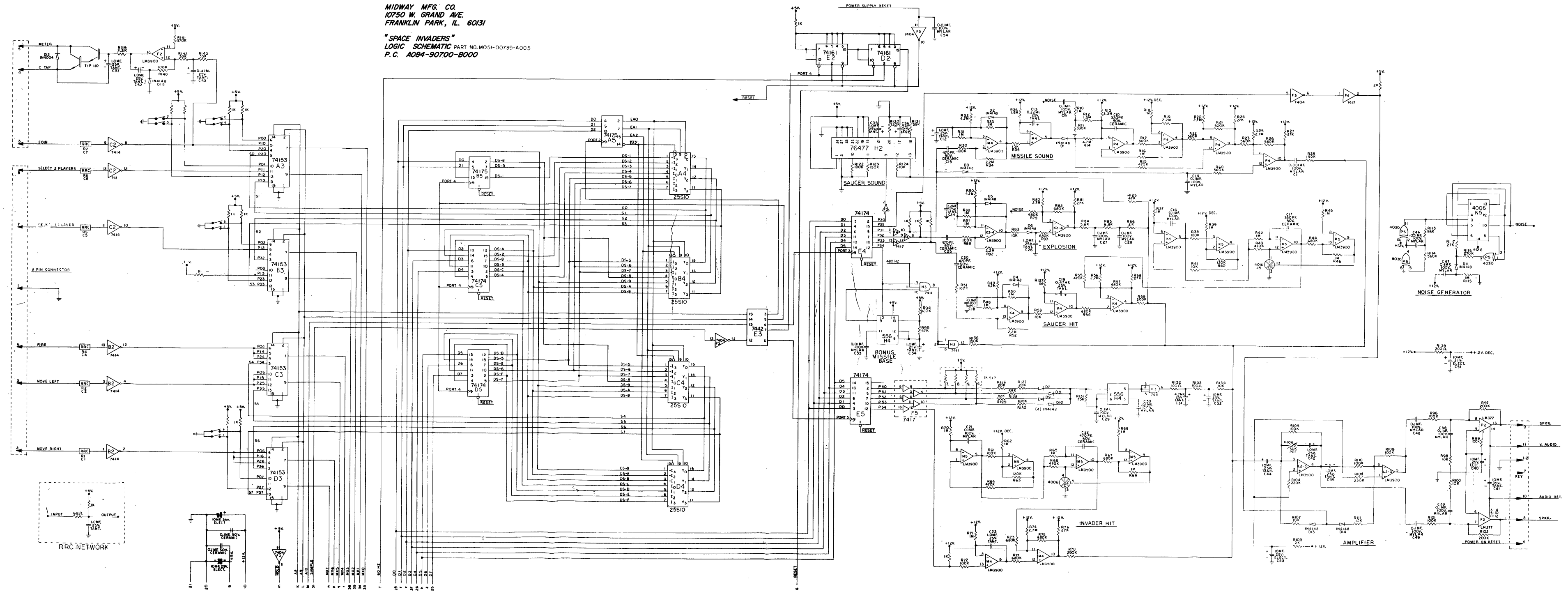
TTL = 7400 SERIES
LOGIC - MOTHER BOARD 80-900



OPTIONAL 1K
REVISIONS: 01 JAN 1975 BY L.D., P.C. BULLOCK
REVISIONS: 02 JAN 1975 BY L.D., P.C. BULLOCK
REVISIONS: 03 JAN 1975 BY L.D., P.C. BULLOCK
REVISIONS: 04 JAN 1975 BY L.D., P.C. BULLOCK
REVISIONS: 05 JAN 1975 BY L.D., P.C. BULLOCK
REVISIONS: 06 JAN 1975 BY L.D., P.C. BULLOCK
REVISIONS: 07 JAN 1975 BY L.D., P.C. BULLOCK
REVISIONS: 08 JAN 1975 BY L.D., P.C. BULLOCK
REVISIONS: 09 JAN 1975 BY L.D., P.C. BULLOCK
REVISIONS: 10 JAN 1975 BY L.D., P.C. BULLOCK

MIDWAY MFG. CO.
10750 W. GRAND AVE.
FRANKLIN PARK, IL. 60131

"SPACE INVADERS"
LOGIC SCHEMATIC PART NO. M051-00739-A005
P.C. A084-90700-8000

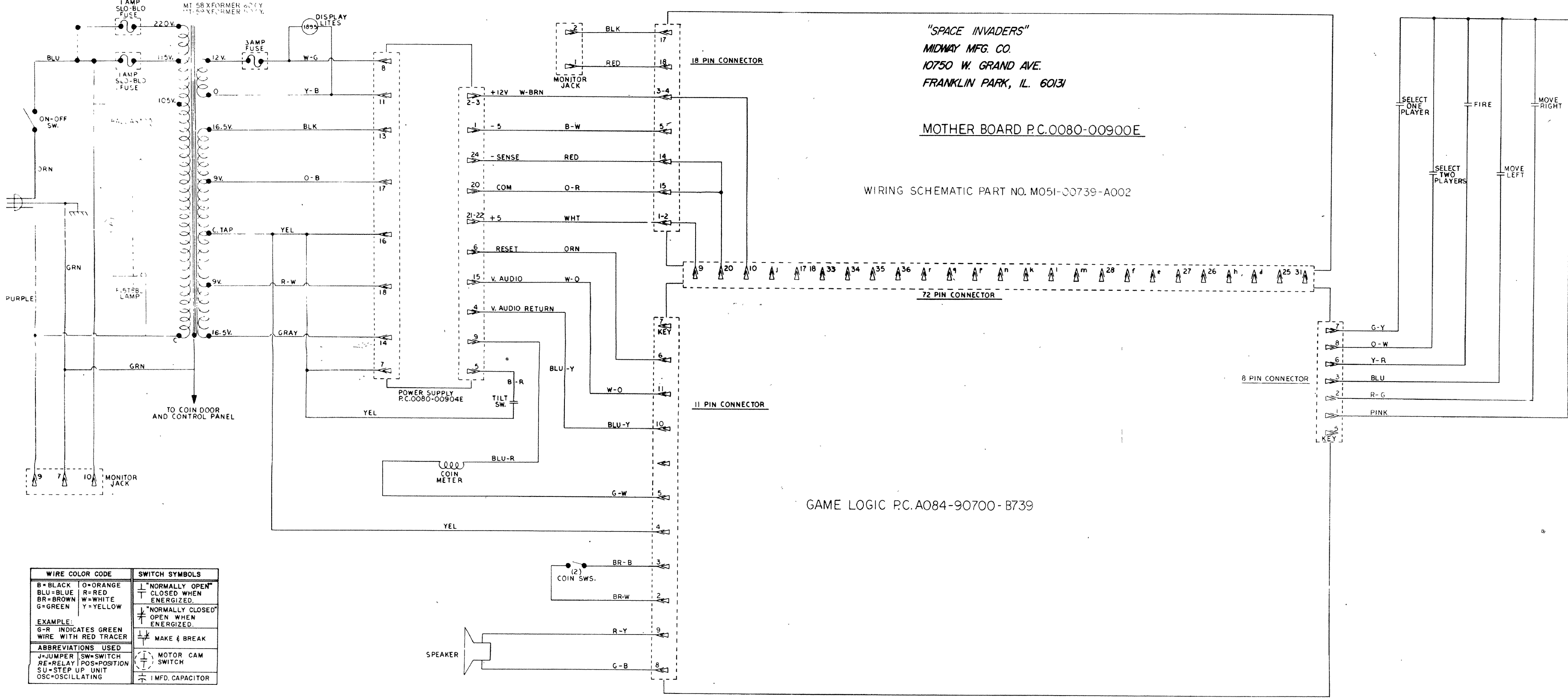


RRC NETWORK

NOISE GENERATOR

AMPLIFIER

POWER ON RESET



"SPACE INVADERS"
 MIDWAY MFG. CO.
 10750 W. GRAND AVE.
 FRANKLIN PARK, IL. 60131

MOTHER BOARD P.C.0080-00900E

WIRING SCHEMATIC PART NO. M051-00739-A002

GAME LOGIC P.C.A084-90700-B739

WIRE COLOR CODE		SWITCH SYMBOLS	
B=BLACK	O=ORANGE		"NORMALLY OPEN" CLOSED WHEN ENERGIZED.
BLU=BLUE	R=RED		"NORMALLY CLOSED" OPEN WHEN ENERGIZED.
BR=BROWN	W=WHITE		MAKE & BREAK
G=GREEN	Y=YELLOW		MOTOR CAM SWITCH
EXAMPLE: G-R INDICATES GREEN WIRE WITH RED TRACER			1 MFD. CAPACITOR
ABBREVIATIONS USED			
J=JUMPER	SW=SWITCH		
RE=RELAY	POS=POSITION		
SU=STEP UP UNIT	OSC=OSCILLATING		